

Current terms and conditions apply.  
Details are available on ...

Es gelten unsere aktuellen Verkaufs-  
und Lieferbedingungen siehe unter ...

Toute commande est assujettie à nos  
conditions de ventes et de fournitures  
dans leur dernière version en vigueur, voir  
sous ...

Se aplican nuestras condiciones actuales  
de venta y de suministro, que se pueden  
consultar en ...

[www.wika.de](http://www.wika.de)

**OBSOLETE**

11379160.01 GB/DI/FE 08/2008

**WIKA Alexander Wiegand GmbH & Co. KG**

Alexander-Wiegand-Straße 30

63911 Klingenberg/Germany

Phone (+49) 93 72/132-295

Fax (+49) 93 72/132-706

E-Mail [support-tronic@wika.de](mailto:support-tronic@wika.de)

[www.wika.de](http://www.wika.de)

Operating instructions  
Betriebsanleitung  
Mode d'emploi  
Manual de instrucciones

**HP-1 / HP-2**

**Pressure transmitter /  
Druckmessumformer /  
Transmetteur de pression /  
Transmisor de presión**



**HP-2**

**WIKAI**

Part of your business

**Contents Page 3-17 GB**

1. Important details for your information
2. A quick overview for you
3. Signs, symbols and abbreviations
4. Function
5. For your safety
6. Packaging
7. Starting, operation
8. Adjustment of zero point / span
9. Maintenance, accessories
10. Trouble shooting
11. Storage, disposal

**Inhalt Seite 18-31 D**

1. Wichtiges zu Ihrer Information
2. Der schnelle Überblick für Sie
3. Zeichenerklärungen, Abkürzungen
4. Funktion
5. Zu Ihrer Sicherheit
6. Verpackung
7. Inbetriebnahme, Betrieb
8. Einstellung Nullpunkt / Spanne
9. Wartung, Zubehör
10. Störbeseitigung
11. Lagerung, Entsorgung

**Contenu Page 32-46 F**

1. Informations importantes
2. Aperçu rapide
3. Explication des symboles,abréviations
4. Fonction
5. Pour votre sécurité
6. Emballage
7. Mise en service, exploitation
8. Réglage du zéro / gain
9. Entretien, accessoires
10. Elimination de perturbations
11. Stockage, mise au rebut

**Contenido Páginas 46-60 E**

1. Detalles importantes para su información
2. Resumen rápido para usted
3. Signos, símbolos y abreviaciones
4. Función
5. Para su seguridad
6. Embalaje
7. Puesta en servicio, funcionamiento
8. Ajuste de cero / margen
9. Mantenimiento, accesorios
10. Eliminación de perturbaciones
11. Almacenaje, eliminación de desechos

11379180.01 GB/D/FE 08/2008

**1. Important details for your information**

Read these operating instructions before installing and starting the pressure transmitter. Keep the operating instructions in a place that is accessible to all users at any time.

The following installation and operating instructions have been compiled by us with great care but it is not feasible to take all possible applications into consideration. These installation and operation instructions should meet the needs of most pressure measurement applications. If questions remain regarding a specific application, you can obtain further information:

- Via our Internet address [www.wika.de](http://www.wika.de) / [www.wika.com](http://www.wika.com)
- The product data sheet is designated as PE 81.29 (HP-1) / PE 81.53 (HP-2)
- Contact WIKA for additional technical support (+49) 9372 / 132-295

With special model number, e.g. HP-20000, please note specifications in the delivery note. If the serial number on the product label and/or the 2D code on the hexagon gets illegible (e.g. by mechanical damage or repainting), the retraceability of the instrument is not possible any more.

WIKA pressure transmitters are carefully designed and manufactured using state-of-the-art technology. Every component undergoes strict quality and environmental inspection before assembly and each instrument is fully tested prior to shipment. Our environmental management system is certified to DIN EN ISO 14001.

As the highly pressurised materials are subject to extreme loads a permanent load cycle stability is only given to a limited extent. This applies in particular to dynamic applications. According to this the pressurised parts of the HP-1 / HP-2 are wear parts which are not included in the warranty.

**Use of the product in accordance with the intended use HP-1/HP-2:**

Use the pressure transmitter to transform the pressure into an electrical signal in extremely high pressure applications > 1000 bar.

**Knowledge required:** Install and start the pressure transmitter only if you are familiar with the relevant regulations and directives of your country and if you have the qualification required. You have to be acquainted with the rules and regulations on measurement and control technology and electric circuits, since this pressure transmitter is „electrical equipment“ as defined by EN 50178. Depending on the operating conditions of your application you have to have the corresponding knowledge, e.g. of aggressive media or high pressures.

11379180.01 GB/D/FE 08/2008

## 2. A quick overview for you

If you want to get a quick overview, read **Chapters 3, 5, 7 and 11**. There you will get some short safety instructions and important information on your product and its starting. **Read these chapters in any case.**

## 3. Abbreviations, signs and symbols



Warning

Potential danger of life or of severe injuries.



Warning

Potential danger of life or of severe injuries due to catapulting parts.



Caution

Potential danger of burns due to hot surfaces.



Notice, important information, malfunction.



The product complies with the applicable European directives.

- 2-wire Two connection lines are intended for the voltage supply.  
The supply current is the measurement signal.
- 3-wire Two connection lines are intended for the voltage supply.  
One connection line is intended for the measurement signal.
- UB Positive supply connection
- S+ Positive measurement connection
- 0V Negative supply connection

## 4. Function

The pressure prevailing within the application is transformed into a standardised electrical signal through the deflection of the diaphragm, which acts on the sensor element with the power supply fed to the transmitter. This electric signal changes in proportion to the pressure and can be evaluated correspondingly.

## 5. For your safety



Warning

- Select the appropriate pressure transmitter with regard to scale range, performance and specific measurement conditions prior to installing and starting the instrument.
- Observe the relevant national regulations (e.g.: EN 50178) and observe the applicable standards and directives for special applications. **If you do not observe the appropriate regulations, serious injuries and/or damage can occur!**

- **Open pressure connections only after the system is without pressure!**
- Please make sure that the pressure transmitter is only used within the overload threshold limit all the time!
- Observe the ambient and working conditions outlined in section 7 „Technical data“.
- Ensure that the pressure transmitter is only operated in accordance with the provisions i.e. as described in the following instructions.
- Do not interfere with or change the pressure transmitter in any other way than described in these operating instructions.
- Remove the pressure transmitter from service and mark it to prevent it from being used again accidentally, if it becomes damaged or unsafe for operation
- **Take precautions with regard to remaining media in removed pressure transmitter. Remaining media in the pressure port may be hazardous or toxic!**
- Have repairs performed by the manufacturer only.
- Please be aware of the fact that within a system under pressure the maximum pressure for the complete system is determined by the component with the lowest admissible operating pressure, even when there are single components that can be operated with higher pressures. When a wide range of pressures is expected within a measuring system, all connected components must be able to withstand the highest possible pressure peaks.



Take appropriate protective measures to prevent parts from being ejected in the case of faults. Ensure that these protective devices cannot be removed without using tools.

Information about material consistency against corrosion and diffusion can be found in our WIKA-Handbook, 'Pressure and Temperature Measurement'.

## 6. Packaging

### Has everything been supplied?



Check the scope of supply:  
Completely assembled pressure transmitters

- Inspect the pressure transmitter for possible damage during transportation. Should there be any obvious damage, inform the transport company and WIKA without delay.
- Keep the packaging, as it offers optimal protection during transportation (e.g. changing installation location, shipment for repair).
- Ensure that the pressure connection thread and the connection contacts will not be damaged.

In order to protect the sealing cone, the pressure connection of the instrument HP-1/HP-2 is provided with a special protection cap.



- Remove this protection cap only just before installing the pressure transmitter in order to prevent any damage to the sealing cone or the thread.
- Keep the protection cap of the pressure connection thread and the diaphragm for later storage or transport.
- Mount the protection cap when removing and transporting the instrument.

## 7. Starting, operation

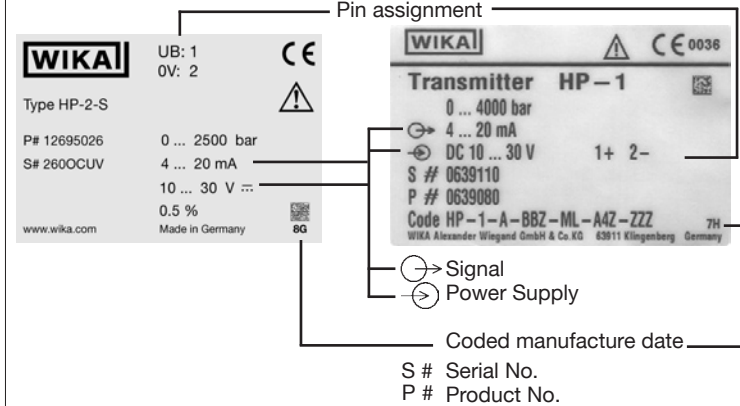


Required tools: wrench (flats 27), screw driver



Use the pressure transmitter only if it is in a faultless condition as far as the safety-relevant features are concerned.

## Mechanical connection Product label (examples)



Generally the serial number on the product label applies. If there is no serial number on the product label, the number on the hexagon will apply.



- Remove the transmitter out of its package and make sure via the label that you have the instrument with the right specifications.
- When mounting the instrument, ensure that the sealing faces of the instrument and the measuring point are clean and undamaged.
- Screw in or unscrew the instrument only via the flats using a suitable tool and the prescribed torque. The appropriate torque depends on the dimension of the pressure connection and on the sealing element used (form/material). Do not use the case as working surface for screwing in or unscrewing the instrument.
- The respective values for your mounting torque and maximum pressure please find in the documentation of your high-pressure equipment supplier.
- When screwing the transmitter in, ensure that the threads are not jammed.

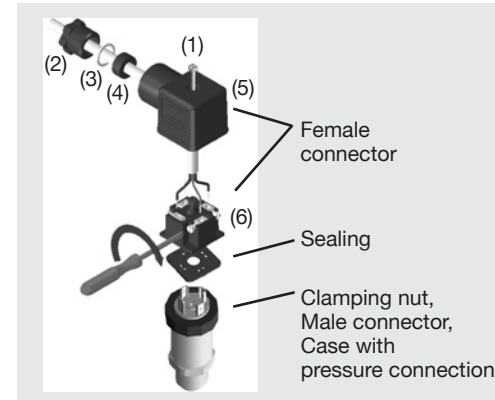
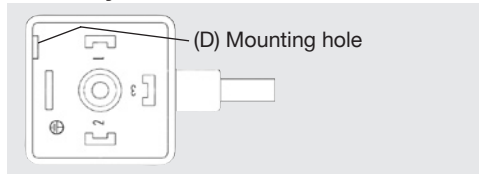
**Electrical connection**

- Connect the instrument to earth via the pressure connection.
- Operate the pressure transmitter with a shielded cable and earth the shield at least on one side of the cable, if the cable is longer than 30m (2-wire) or 3m (3- or 4-wire), or if it is run outside of the building.
- Use power supplies which guarantee reliable electrical isolation of the operating voltage as per IEC/DIN EN 60204-1. Consider also the general requirements for PELV circuits in accordance with IEC/DIN EN 60204-1.
- Ingress protection per IEC 60529 (The ingress protection classes specified only apply while the pressure transmitter is connected with female connectors that provide the corresponding ingress protection).
- Ensure that the cable diameter you select fits to the cable gland of the connector. Ensure that the cable gland of the mounted connector is positioned correctly and that the sealings are available and undamaged. Tighten the threaded connection and check the correct position of the sealings in order to ensure the ingress protection.
- Please make sure that the ends of cables with flying leads do not allow any ingress of moisture.

**Electrical connections**

	L-connector DIN 175301-803 A	Circular connector M12x1	Flying leads
2-wire	UB = 1   0V = 2	UB = 1   0V = 3	UB = brown   0V = green
3-wire	UB = 1   0V = 2   S+ = 3	UB = 1   0V = 3   S+ = 4	UB = brown   0V = green   S+ = white
Wire gauge	up to max. 1.5 mm <sup>2</sup>	-	0.5 mm <sup>2</sup> (AWG 20)
Diameter of cable	6-8 mm	-	6.8 mm
Ingress protection per IEC 60 529	IP 65	IP 67	IP 67
	The ingress protection classes specified only apply while the pressure transmitter is connected with female connectors that provide the corresponding ingress protection.		

11379180.01 GB/D/FE 08/2008

**Assembly of L-connector DIN EN 175301-803**

1. Loosen the screw (1).
2. Loosen the cable gland (2).
3. Pull the angle housing (5), with the terminal block (6) inside, away from the instrument.
4. Using the head of a small screwdriver in the mounting hole (D), lever the terminal block (6) out of the angle housing (5).  
In order not to damage the sealing of the angle housing, do not try to push the terminal block (6) out using the screw hole (1) or the cable gland (2).
5. Ensure that the conductor outer diameter you select is matched to the angle housing's cable gland. Slide the cable through the cable gland nut (2), washer (3), gland seal (4) and angle housing (5).
6. Connect the flying leads to the screw terminals on the terminal block (6) in accordance with the pin-assignment drawing.
7. Press the terminal block (6) back into the angle housing (5).
8. Tighten the cable gland (2) around the cable. Make sure that the sealing isn't damaged and that the cable gland and seals are assembled correctly in order to ensure ingress protection.
9. Place the flat, square gasket over the connection pins on the top of the instrument housing.
10. Slide the terminal block (6) onto the connection pins.
11. Secure the angle housing (5) and terminal block (6) to the instrument with the screw (1).

11379180.01 GB/D/FE 08/2008

Specifications	Model HP-1								
Pressure ranges <sup>1)</sup>	bar	1,600	2,500	4,000	5,000	6,000	7,000	8,000	
Over pressure safety	bar	2,300	3,500	5,000	6,000	7,000	8,000	10,000	
Burst pressure	bar	4,000	6,000	8,000	10,000	11,000	11,000	12,000	
	<sup>1)</sup> > 8,000 bar on request								
Materials		Stainless steel							
■ Wetted parts		Stainless steel							
■ Case		Stainless steel							
Power supply UB	UB in VDC	10 ... 30 (14 ... 30 with signal output 0 ... 10 V)							
Signal output and maximum ohmic load RA	RA in Ohm	4 ... 20 mA, 2-wire			RA ≤ (UB – 10 V) / 0.02 A				
		{0 ... 5 V, 3-wire}			RA > 5,000				
		{0 ... 10 V, 3-wire}			RA > 10,000				
		{Other signal output on request}							
Adjustability zero/span	%	± 5 using potentiometers inside the instrument							
Response time (10 ... 90 %)	ms	≤ 1							
Insulation voltage	VDC	500							
Accuracy	% of span	≤ 0.25 (BFSL)		≤ 0.5 <sup>2)</sup>					
		<sup>2)</sup> Including non-linearity, hysteresis, zero point and full scale error (corresponds to error of measurement per IEC 61298-2).							
Non-linearity	% of span	≤ 0.2 (BFSL) according to IEC 61298-2							
1-year stability	% of span	≤ 0.2 (at reference conditions)							
Permissible temperature of									
■ Medium <sup>3)</sup>		-0 ... +80 °C			32 ... +176 °F				
■ Ambience <sup>3)</sup>		-20 ... +80 °C			-4 ... +176 °F				
■ Storage <sup>3)</sup>		-40 ... +85 °C			-40 ... +185 °F				
		<sup>3)</sup> Also complies with EN 50178, Tab. 7, Operation (C) 4K4H, Storage (D) 1K4, Transport (E) 2K3							

11379180.01 GB/D/FE 08/2008

Specifications	Model HP-1	
Rated temperature range		0 ... +80 °C   32 ... +176 °F
Temperature coefficients within rated temperature range		
■ Mean TC of zero	% of span	≤ 0.2 / 10 K
■ Mean TC of range	% of span	≤ 0.2 / 10 K
CE- conformity		
■ Pressure equipment directive		97/23/EC
■ EMC directive		89/336/EEC emission (class B) and immunity according to EN 61 326
Shock resistance	g	100 according to IEC 60068-2-27 (mechanical shock)
Vibration resistance	g	5 according to IEC 60068-2-6 (vibration under resonance)
Wiring protection		
■ Short-circuit proofness		Sig+ towards UB-
■ Reverse polarity protection		UB+ towards UB-
Weight	kg	Approx. 0.3

{ } Items in curved brackets are optional extras for additional price.

Specifications	Model HP-2								
Pressure ranges	bar	1,600	2,500	4,000	5,000	6,000	7,000	8,000	10,000
Over pressure safety	bar	2,300	3,500	5,000	6,000	7,000	8,000	10,000	11,000
Burst pressure	bar	4,000	6,000	8,000	10,000	11,000	11,000	12,000	12,000
Pressure ranges	psi	23,000	36,000	58,000	72,000	87,000	100,000	115,000	145,000
Over pressure safety	psi	33,300	50,500	72,500	87,000	101,500	116,000	145,000	159,500
Burst pressure	psi	58,000	87,000	116,000	145,000	159,500	159,500	174,000	174,000
		Up to 15,000 bar / 217,000 psi on request							

11379180.01 GB/D/FE 08/2008

Specifications		Model HP-2	
<b>Materials</b>			
■ Wetted parts		1.4534	
■ Case		Stainless steel	
Power supply UB	UB in VDC	10 ... 30 (14 ... 30 with signal output 0 ... 10 V)	
Signal output and maximum ohmic load RA	RA in Ohm	4 ... 20 mA, 2-wire	RA ≤ (UB – 10 V) / 0.02 A
		0 ... 5 V, 3-wire	RA > 5,000
		0 ... 10 V, 3-wire	RA > 10,000
		Other signal output on request	
Adjustability zero	%	± 5 using potentiometers inside the instrument	
Response time (10 ... 90 %)	ms	≤ 1	
Insulation voltage	VDC	500	
Accuracy	% of span	≤ ± 0.5 *)	
	% of span	≤ ± 0.25 *) on request	
*) Including non-linearity, hysteresis, zero point and full scale error (corresponds to error of measurement per IEC 61298-2).			
1-year stability	% of span	≤ 0.1 (at reference conditions)	
<b>Permissible temperature of</b>			
■ Medium **)		-0 ... +80 °C	32 ... +176 °F
■ Ambience **)		-20 ... +80 °C	-4 ... +176 °F
■ Storage **)		-40 ... +85 °C	-40 ... +185 °F
**) Also complies with EN 50178, Tab. 7, Operation (C) 4K4H, Storage (D) 1K4, Transport (E) 2K3			
Rated temperature range		0 ... +80 °C	32 ... +176 °F
Temperature error within rated temperature range	%	≤ 1.0 typ.	
		≤ 2.5 max.	
RoHS- conformity		on request	

11379180.01 GB/D/FE 08/2008

Specifications		Model HP-2	
<b>CE- conformity</b>			
■ Pressure equipment directive		97/23/EC	
■ EMC directive		2004/108/EC, EN 61 326 Emission (Group 1, Class B) and Immunity (industrial locations)	
Shock resistance	g	100 (2.4 ms)	according to IEC 60068-2-27
Vibration resistance	mm	0.35 (10 ... 55 Hz)	according to IEC 60068-2-6
<b>Wiring protection</b>			
■ Short-circuit proofness		Sig+ towards UB-	
■ Reverse polarity protection		UB+ towards UB-	
Weight	kg	Approx. 0.3	



- When designing your plant, take into account that the stated values (e.g. burst pressure, over pressure safety) apply depending on the material and thread used.
- The respective values for your mounting torque and maximum pressure please find in the documentation of your high-pressure equipment supplier.

### Functional test



The output signal must be proportional to the pressure. If not, this might point to a damage of the diaphragm. In that case refer to chapter 10 „Troubleshooting“.



- Open pressure connections only after the system is without pressure!
- Observe the ambient and working conditions outlined in section 7 „Technical data“.
- Please make sure that the pressure transmitter is only used within the overload threshold limit at all times!



When touching the pressure transmitter, keep in mind that the surfaces of the instrument components might get hot during operation.

11379180.01 GB/D/FE 08/2008

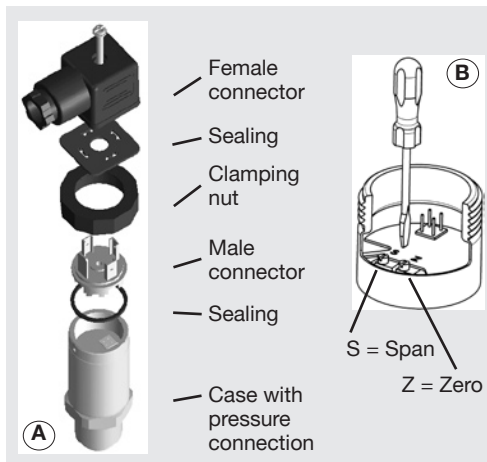
## 8. Adjustment of zero point / span

(only for pressure transmitter with clamping nut)



We do not recommend to adjust the span potentiometer. It is used for adjustment ex factory and should not be adjusted by you unless you have adequate calibration equipment at your disposal (at least three times more accurate than the instrument being tested).

- Make sure wires are not cut or pinched during disassembly and reassembly of the connector.
- Remove the female connector. Open the pressure transmitter by detaching the clamping nut (see Fig. (A)). Carefully remove the male connector from the case.
- Adjust the zero point (Z) (see Fig. (B)) by generating the lower limit of the pressure range.
- Adjust the span (S) by generating the higher limit of the pressure range.
- Check the zero point.
- If the zero point is incorrect, repeat procedure as required.
- Reassemble the instrument carefully.
- Make sure all sealings and o-rings are not damaged and correctly installed to assure the rated moisture ingress protection.



Recommended recalibration cycle:  
half-yearly



For further information  
(+49) 9372/132-295

## 9. Maintenance, accessories



- WIKA pressure transmitters require no maintenance.
- Have repairs performed by the manufacturer only.

### Accessories

For details about the accessories (e. g. connectors), please refer to WIKA's price list, WIKA's product catalog on CD or or contact our sales department.

## 10. Trouble shooting



Open pressure connections only after the system is without pressure!



- Take precautions with regard to remaining media in removed pressure transmitters. Remaining media in the pressure port may be hazardous or toxic!
- Remove the pressure transmitter from service and mark it to prevent it from being used again accidentally, if it becomes damaged or unsafe for operation.
- Have repairs performed by the manufacturer only.



Do not insert any pointed or hard objects into the pressure port for cleaning to prevent damage to the diaphragm of the pressure connection.

Please verify in advance if pressure is being applied (valves/ ball valve etc. open) and if the right voltage supply and the right type of wiring (2-wire/ 3-wire) has been chosen?

Failure	Possible cause	Procedure
No output signal	Cable break No/incorrect voltage supply or current spike	Check connections and cable Adjust the voltage supply to correspond with the Operating Instructions *)
No/False output signal	Incorrectly wired (e.g. Connected as 2-wire instead of 3-wire system)	Follow pin assignment (see Instrument Label / Operating Instructions)



Failure	Possible cause	Procedure
Output signal unchanged after change in pressure	Wrong supply voltage or current spike	Replace instrument
Abnormal output signal	Change of the zero point due to pressure dynamics	Adjust zero point
Signal span too high	Pressure peaks / Cavitations	Use a instrument with cavitation and peak pressure protection
Signal span too small	Power supply too high/too low	Correct the power supply in line with the Operating Instructions
Signal span erratic	Electromagnetic interference source in the vicinity, e.g. inverter drive	Shield the device; shield the cables; remove the interference source
	Violent fluctuations in the process media pressure	Damping; consult with manufacturer
	Instrument not grounded	Ground instrument
Leakages at pressure connection	Hairline cracks in pressure port	Consult with manufacturer (possibly reparation); Replace instrument

In case of unjustified reclamation we charge the reclamation handling expenses.

\*) Make sure that after the setting/the assembly the unit is working properly. In case the error continues to exist send in the instrument for reparation (or replace the unit).

If the problem persists, contact our sales department.

### Process material certificate (Contamination declaration for returned goods)

Purge / clean dismantled instruments before returning them in order to protect our employees and the environment from any hazard caused by adherent remaining media.

Service of instruments can only take place safely when a Product Return Form has been submitted and fully filled-in. This Return Form contains information on all materials with which the instrument has come into contact, either through installation, test purposes, or cleaning. You can find the Product Return Form on our internet site ([www.wika.de](http://www.wika.de) / [www.wika.com](http://www.wika.com)).

11379180.01 GB/D/FE 08/2008

## 11. Storage, disposal



### Warning

When storing or disposing of the pressure transmitter, take precautions with regard to remaining media in removed pressure transmitters. We recommend cleaning the transmitter properly and carefully. Remaining media in the pressure port may be hazardous or toxic!

### Storage



Mount the protection cap when storing the pressure transmitter in order to prevent any damage to the sealing cone.

### Disposal



Dispose of instrument components and packaging materials in accordance with the respective waste treatment and disposal regulations of the region or country to which the instrument is supplied.

WIKA reserves the right to alter these technical specifications.

11379180.01 GB/D/FE 08/2008

## 1. Wichtiges zu Ihrer Information

Lesen Sie diese Betriebsanleitung vor Montage und Inbetriebnahme des Druckmessgerätes. Bewahren Sie die Betriebsanleitung an einem für alle Benutzer jederzeit zugänglichen Ort auf. Die nachfolgenden Einbau- und Betriebshinweise haben wir mit Sorgfalt zusammengestellt. Es ist jedoch nicht möglich, alle erdenklichen Anwendungsfälle zu berücksichtigen. Sollten Sie Hinweise für Ihre spezielle Aufgabenstellung vermissen, können Sie hier weitere Informationen finden:

- Über unsere Internet-Adresse [www.wika.de](http://www.wika.de) / [www.wika.com](http://www.wika.com)
- Die Bezeichnung des zugehörigen Datenblattes ist PE 81.29 (HP-1) / PE 81.53 (HP-2)
- Anwendungsberater: (+49) 9372/132-295

Bei Sondertypennummer, z.B. HP-20000, beachten Sie die Spezifikationen gemäß Lieferschein. Wird die Seriennummer auf dem Typenschild und/oder der 2D-Code auf dem Sechskant unleserlich (z. B. durch mechanische Beschädigung oder Übermalen), ist eine Rückverfolgbarkeit nicht mehr möglich.

Die in der Betriebsanleitung beschriebenen WIKA-Druckmessgeräte werden nach den neuesten Erkenntnissen konstruiert und gefertigt. Alle Komponenten unterliegen während der Fertigung strengen Qualitäts- und Umweltkriterien. Unser Umweltmanagementsystem ist nach DIN EN ISO 14001 zertifiziert.

Auf Grund der extremen Belastungen, denen die hochdruckbeaufschlagten Materialien ausgesetzt sind, ist eine Dauerlastwechselfestigkeit nur bedingt gegeben. Dies gilt insbesondere für dynamische Anwendungen. Dementsprechend handelt es sich bei den druckbelasteten Teilen des HP-1 / HP-2 um Verschleißteile, die nicht unter die Gewährleistung fallen.

### Bestimmungsgemäße Produktverwendung HP-1/HP-2:

Verwenden Sie den Druckmessumformer, um in Hochdruck-Applikationen > 1000 bar den Druck in ein elektrisches Signal zu wandeln.

**Ihre erforderlichen Kenntnisse:** Montieren und nehmen Sie das Druckmessgerät nur in Betrieb, wenn Sie mit den zutreffenden landesspezifischen Richtlinien vertraut sind und die entsprechende Qualifikation besitzen. Sie müssen mit den Kenntnissen von Mess- und Regeltechnik sowie elektrischen Stromkreisen vertraut sein, da das Druckmessgerät ein „elektrisches Betriebsmittel“ nach EN 50178 ist. Je nach Einsatzbedingung müssen Sie über entsprechendes Wissen verfügen, z. B. über aggressive Medien bzw. hohe Drücke.

## 2. Der schnelle Überblick für Sie

Wollen Sie sich einen schnellen Überblick verschaffen, lesen Sie **Kapitel 3, 5, 7 und 11**. Dort erhalten Sie kurze Hinweise zu Ihrer Sicherheit und wichtige Informationen über Ihr Produkt und zur Inbetriebnahme. **Lesen Sie diese unbedingt.**

## 3. Zeichenerklärungen, Abkürzungen



**Warnung**

Mögliche Gefahr für Ihr Leben oder schwerer Verletzungen.



**Warnung**

Mögliche Gefahr für Ihr Leben oder schwerer Verletzungen durch wegschleudernde Teile.



**Vorsicht**

Mögliche Gefahr von Verbrennungen durch heiße Oberflächen.



Hinweis, wichtige Information, Funktionsstörung.



Das Produkt stimmt mit den zutreffenden europäischen Richtlinien überein.

2-Leiter Zwei Anschlussleitungen dienen zur Spannungsversorgung. Der Speisestrom ist das Mess-Signal.

3-Leiter Zwei Anschlussleitungen dienen zur Spannungsversorgung. Eine Anschlussleitung dient für das Mess-Signal.

UB Positiver Versorgungsanschluss  
S+ Positiver Messanschluss  
0V Negativer Versorgungsanschluss

## 4. Funktion

Mittels Sensorelement und unter Zuführung von Hilfsenergie wird über die Verformung einer Membran der anstehende Druck in Ihrer Anwendung in ein verstärktes standardisiertes elektrisches Signal umgewandelt. Dieses elektrische Signal verändert sich proportional zum Druck und kann entsprechend ausgewertet werden.

## 5. Zu Ihrer Sicherheit



**Warnung**

- Wählen Sie das richtige Druckmessgerät hinsichtlich Messbereich, Ausführung und spezifischen Messbedingungen vor Montage oder Inbetriebnahme.
- Halten Sie die entsprechenden landesspezifischen Vorschriften ein (z. B.: EN 50178) und beachten Sie bei speziellen Anwendungen die geltenden Normen und Richtlinien. **Wenn Sie die entsprechenden Vorschriften nicht beachten, können schwere Körperverletzungen und Sachschäden entstehen!**

- **Öffnen Sie Anschlüsse nur im drucklosen Zustand!**
- Betreiben Sie das Druckmessgerät immer innerhalb des Überlastgrenzbereiches!
- Beachten Sie die Betriebsparameter gemäß Punkt 7 „Technische Daten“.
- Stellen Sie sicher, dass das Druckmessgerät nur bestimmungsgemäß -also wie in der folgenden Anleitung beschrieben- betrieben wird.
- Unterlassen Sie unzulässige Eingriffe und Änderungen am Druckmessgerät, welche nicht in dieser Betriebsanleitung beschrieben sind.
- Setzen Sie das Druckmessgerät außer Betrieb und schützen Sie es gegen versehentliche Inbetriebnahme, wenn Sie Störungen nicht beseitigen können.
- **Ergreifen Sie Vorsichtsmaßnahmen für Messstoffreste in ausgebauten Druckmessgeräten. Messstoffreste können zur Gefährdung von Menschen, Umwelt und Einrichtung führen!**
- Lassen Sie Reparaturen nur vom Hersteller durchführen.
- Bitte beachten Sie, dass in einem System das Bauteil mit dem niedrigsten Maximaldruck den höchstzulässigen Betriebsdruck für das Gesamtsystem festlegt, auch wenn einzelne Komponenten durchaus höheren Belastungen ausgesetzt werden dürfen. Ist mit schwankenden oder unterschiedlichen Drücken im System zu rechnen, sollten Komponenten zum Einsatz kommen, die den höchsten zu erwartenden Druckspitzen standhalten können.



Treffen Sie geeignete Schutzmaßnahmen, die ein Herausschleudern von Teilen im Fehlerfall verhindern. Diese Schutzvorrichtungen dürfen nicht ohne Werkzeug entfernbar sein.

Angaben zu Korrosions- bzw. Diffusionsbeständigkeit der Gerätewerkstoffe entnehmen Sie bitte unserem WIKA-Handbuch zur Druck- und Temperaturmesstechnik.

## 6. Verpackung

### Wurde alles geliefert?



Überprüfen Sie den Lieferumfang:  
Komplett montierte Druckmessgeräte

- Untersuchen Sie das Druckmessgerät auf eventuell entstandene Transportschäden. Sind offensichtlich Schäden vorhanden, teilen Sie dies dem Transportunternehmen und WIKA unverzüglich mit.
- Bewahren Sie die Verpackung auf, denn diese bietet bei einem Transport einen optimalen Schutz (z. B. wechselnder Einbauort, Reparatursendung).
- Achten sie darauf, dass das Druckanschluss-Gewinde und die Anschlusskontakte nicht beschädigt werden.

Zum Schutz des Dichtkonus ist der Druckanschluss des Gerätes HP-1 / HP-2 mit einer speziellen Schutzkappe versehen.



- Entfernen Sie diese Schutzkappe erst kurz vor dem Einbau, damit Dichtkonus bzw. das Druckanschluss-Gewinde nicht beschädigt wird.
- Bewahren Sie die Schutzkappe des Druckanschluss-Gewindes und der Membran zur späteren Lagerung oder Transport auf.
- Montieren Sie die Schutzkappe bei Ausbau und Transport des Gerätes.

## 7. Inbetriebnahme, Betrieb

### Membran-Prüfung zu Ihrer Sicherheit



Benötigtes Werkzeug: Maulschlüssel SW 27, Schraubendreher



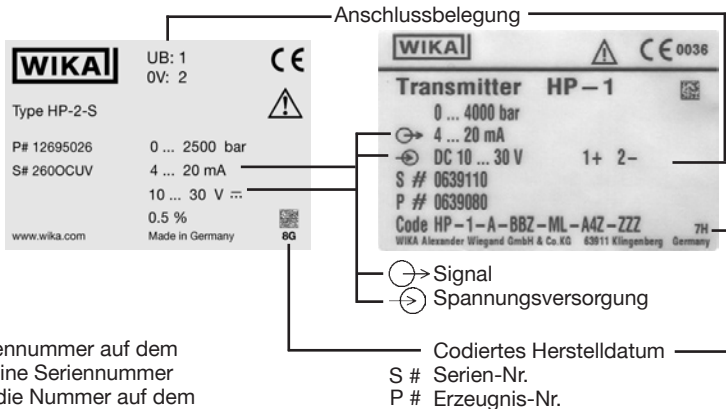
**Warnung**

Setzen Sie das Druckmessgerät nur in sicherheitstechnisch einwandfreiem Zustand ein.

## Montage mechanischer Anschluss



## Typenschild (Beispiele)



Es gilt grundsätzlich die Seriennummer auf dem Typenschild. Befindet sich keine Seriennummer auf dem Typenschild, so gilt die Nummer auf dem Sechskant.



- Entnehmen Sie den Druckmessumformer der Verpackung und vergewissern Sie sich anhand des Typenschildes, dass der von Ihnen benötigte Typ vorliegt.
- Achten Sie bei der Montage auf saubere und unbeschädigte Dichtflächen am Gerät und Messstelle.
- Schrauben Sie das Gerät nur über die Schlüsselstellen mit einem geeigneten Werkzeug und dem vorgeschriebenen Drehmoment ein bzw. aus. Das richtige Drehmoment ist abhängig von der Dimension des Druckanschlusses sowie der verwendeten Dichtung (Form/Werkstoff). Verwenden Sie zum Ein- bzw. Ausschrauben nicht das Gehäuse als Angriffsfläche.
- Die für Ihre Montagestelle gültigen Werte für Anzugsmoment und Maximaldruck entnehmen Sie bitte den Unterlagen Ihres HD-Rohr-Lieferanten.
- Beachten Sie beim Einschrauben, dass die Gewindgänge nicht verkantet werden.

## Montage elektrischer Anschluss



- Erden Sie das Gerät über den Druckanschluss.

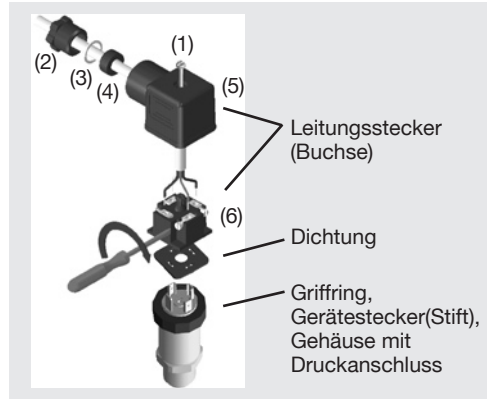
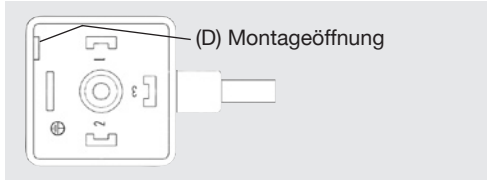


- Betreiben Sie den Druckmessumformer mit geschirmter Leitung und erden Sie den Schirm auf mindestens einer Leitungsseite, wenn die Leitungen länger als 30m (2-Leiter) bzw. 3m (3- bzw. 4-Leiter) sind oder das Gebäude verlassen.
- Verwenden Sie ausschließlich Stromquellen, die eine sichere elektrische Trennung der Betriebsspannung nach IEC/DIN EN 60204-1 gewährleisten. Berücksichtigen Sie zusätzlich die allgemeinen Anforderungen an PELV-Stromkreise gemäß IEC/DIN EN 60204-1.
- Schutzart IP nach IEC 60 529 (Die angegebenen Schutzarten gelten nur im gesteckten Zustand mit Leitungsteckern (Buchsen) entsprechender Schutzart).
- Wählen Sie den Kabeldurchmesser passend zur Kabeldurchführung des Steckers. Achten Sie darauf, dass die Kabelverschraubung des montierten Steckers korrekt sitzt und dass die Dichtungen vorhanden und nicht beschädigt sind. Ziehen Sie die Verschraubung fest und überprüfen Sie den korrekten Sitz der Dichtungen, um die Schutzart zu gewährleisten.
- Stellen Sie bei Kabelaugängen sicher, dass am Ende des Kabels keine Feuchtigkeit eintritt.

## Elektrische Anschlüsse

	Winkeldose DIN 175301-803 A	Rundsteckverbinder M12x1	Kabelausgang
2-Leiter	UB = 1   OV = 2	UB = 1   OV = 3	UB = braun   OV = grün
3-Leiter	UB = 1   OV = 2   S+ = 3	UB = 1   OV = 3   S+ = 4	UB = braun   OV = grün   S+ = weiß
Aderquerschnitt	bis max. 1,5 mm <sup>2</sup>	-	0,5 mm <sup>2</sup> (AWG 20)
Kabeldurchmesser	6-8 mm	-	6,8 mm
Schutzart nach IEC 60 529	IP 65	IP 67	IP 67
	Die angegebenen Schutzarten gelten nur im gesteckten Zustand mit Leitungsteckern entsprechender Schutzart.		

## Montage des Winkelsteckverbinders nach DIN EN 175301-803



- Lösen Sie die Schraube (1).
- Lösen Sie die Kabelverschraubung (2).
- Ziehen Sie Winkelgehäuse (5) mit Klemmblock (6) vom Gerät ab.
- Hebeln Sie mit dem Schraubendreher in die Montageöffnung (D), so dass Sie den Klemmblock (6) aus dem Winkelgehäuse (5) herausdrücken. Drücken Sie nicht den Klemmblock (6) durch die Schraubenöffnung (1) bzw. Kabelverschraubung (2) heraus, sonst beschädigen Sie die Dichtungen des Winkelgehäuses.
- Wählen Sie den Leitungsaußendurchmesser passend zur Kabeldurchführung des Winkelgehäuses. Schieben Sie das Kabel durch Kabelverschraubung (2), Ring (3), Dichtung (4) und Winkelgehäuse (5).
- Schließen Sie die Kabelenden entsprechend der Belegungszeichnung in den Anschlußklemmen des Klemmblocks (6) an.
- Drücken Sie das Winkelgehäuse (5) auf den Klemmblock (6).
- Verschrauben Sie das Kabel mit der Kabelverschraubung (2). Achten Sie darauf, dass die Dichtungen unbeschädigt sind und Kabelverschraubung und Dichtungen korrekt sitzen, um die Schutzart zu gewährleisten.
- Legen Sie die quadratische Flachdichtung über die Anschlußpins im Gehäuse.
- Schieben Sie den Klemmblock (6) auf die Anschlußpins im Gehäuse.
- Verschrauben Sie mit der Schraube (1) das Winkelgehäuse (5) mit dem Klemmblock (6) im Gerät.

11379180.01 GB/D/FE 08/2008

## Technische Daten Typ HP-1

Messbereich <sup>1)</sup>	bar	1.600	2.500	4.000	5.000	6.000	7.000	8.000
Überlastgrenze	bar	2.300	3.500	5.000	6.000	7.000	8.000	10.000
Berstdruck	bar	4.000	6.000	8.000	10.000	11.000	11.000	12.000
		<sup>1)</sup> > 8.000 bar auf Anfrage						
Werkstoff								
■ Messstoffberührte Teile		CrNi-Stahl						
■ Gehäuse		CrNi-Stahl						
Hilfsenergie UB	UB in VDC	10 ... 30 (14 ... 30 bei Ausgang 0 ... 10 V)						
Ausgangssignal und zulässige max. ohmsche Bürde RA	RA in Ohm	4 ... 20 mA, 2-Leiter		RA ≤ (UB – 10 V) / 0.02 A				
		{0 ... 5 V, 3-Leiter}		RA > 5.000				
		{0 ... 10 V, 3-Leiter}		RA > 10.000				
		{Andere Ausgangssignale auf Anfrage}						
Einstellbarkeit Nullpunkt/Spanne	%	± 5 durch Potentiometer im Gerät						
Einstellzeit (10 ... 90 %)	ms	≤ 1						
Spannungsfestigkeit	VDC	500						
Genauigkeit	% d. Spanne	≤ ± 0,25 (BFSL)						
		≤ ± 0,5 <sup>2)</sup>						
		<sup>2)</sup> Einschließlich Nichtlinearität, Hysterese, Nullpunkt- und Endwertabweichung (entspricht Messabweichung nach IEC 61298-2).						
Nichtlinearität	% d. Spanne	≤ 0,2 (BFSL) nach IEC 61298-2						
Stabilität pro Jahr	% d. Spanne	≤ 0,2 (bei Referenzbedingungen)						
Zulässige Temperaturbereiche								
■ Messstoff <sup>3)</sup>		0 ... +80 °C						
■ Umgebung <sup>3)</sup>		-20 ... +80 °C						
■ Lagerung <sup>3)</sup>		-40 ... +85 °C						
		<sup>3)</sup> Erfüllt auch EN 50178, Tab. 7, Betrieb (C) 4K4H, Lagerung (D) 1K4, Transport (E) 2K3						

11379180.01 GB/D/FE 08/2008

**Technische Daten Typ HP-1**

<p>■ Mittlerer TK des Nullpunktes</p> <p>■ Mittlerer TK der Spanne</p>	% d. Spanne	≤ 0,2 / 10 K
<p>■ Druckgeräterichtlinie</p> <p>■ EMV-Richtlinie</p>		97/23/EG 89/336/EWG Störemission (Grenzwertklasse B) und Störfestigkeit nach EN 61 326
Schockbelastbarkeit	g	100 nach IEC 60068-2-27 (Schock mechanisch)
Vibrationsbelastbarkeit	g	5 nach IEC 60068-2-6 (Vibration bei Resonanz)
<p>■ Kurzschlusschutz</p> <p>■ Verpolschutz</p>		Sig+ gegen UB- UB+ gegen UB-
Gewicht	kg	Ca. 0,3

{ } Angaben in geschweiften Klammern beschreiben gegen Mehrpreis lieferbare Sonderheiten.

**Technische Daten Typ HP-2**

Messbereich	bar	1.600	2.500	4.000	5.000	6.000	7.000	8.000	10.000
Überlastgrenze	bar	2.300	3.500	5.000	6.000	7.000	8.000	10.000	11.000
Berstdruck	bar	4.000	6.000	8.000	10.000	11.000	11.000	12.000	12.000
	psi	23.000	36.000	58.000	72.000	87.000	100.000	115.000	145.000
	psi	33.300	50.500	72.500	87.000	101.500	116.000	145.000	159.500
	psi	58.000	87.000	116.000	145.000	159.500	159.500	174.000	174.000
Bis 15.000 bar / 217.000 psi auf Anfrage									
Werkstoff									
<p>■ Messstoffberührte Teile</p> <p>■ Gehäuse</p>		1.4534	CrNi-Stahl						

11379180.01 GB/D/FE 08/2008

**Technische Daten Typ HP-2**

Hilfsenergie UB	UB in VDC	10 ... 30 (14 ... 30 bei Ausgang 0 ... 10 V)
Ausgangssignal und zulässige	RA in Ohm	4 ... 20 mA, 2-Leiter RA ≤ (UB – 10 V) / 0,02 A
max. ohmsche Bürde RA		0 ... 5 V, 3-Leiter RA > 5.000
		0 ... 10 V, 3-Leiter RA > 10.000
Andere Ausgangssignale auf Anfrage		
Einstellbarkeit Nullpunkt	%	± 5 durch Potentiometer im Gerät
Einstellzeit (10 ... 90 %)	ms	≤ 1
Isolationsspannung	VDC	500
Genauigkeit	% d. Spanne	≤ ± 0,5 *)
		≤ ± 0,25 *) auf Anfrage
*) Einschließlich Nichtlinearität, Hysterese, Nullpunkt- und Endwertabweichung (entspricht Messabweichung nach IEC 61298-2).		
Stabilität pro Jahr	% d. Spanne	≤ 0,1 (bei Referenzbedingungen)
Zulässige Temperaturbereiche		
<p>■ Messstoff **)</p> <p>■ Umgebung **)</p> <p>■ Lagerung **)</p>	°C	0 ... +80 -20 ... +80 -40 ... +85
**) Erfüllt auch EN 50178, Tab. 7, Betrieb (C) 4K4H, Lagerung (D) 1K4, Transport (E) 2K3		
<p>■ Druckgeräterichtlinie</p> <p>■ EMV-Richtlinie</p>		97/23/EG 2004/108/EG, EN 61326 Emission (Gruppe 1, Klasse B) und Störfestigkeit (industrieller Bereich)

11379180.01 GB/D/FE 08/2008

**Technische Daten** Typ HP-2

Schockbelastbarkeit	g	100 (2,4 ms)	nach IEC 60068-2-27
Vibrationsbelastbarkeit	mm	0,35 (10 ... 55 Hz)	nach IEC 60068-2-6
Elektrische Schutzarten			
■ Kurzschlusschutz		Sig+ gegen UB-	
■ Verpolschutz		UB+ gegen UB-	
Gewicht	kg	Ca. 0,3	

- i** ■ Beachten Sie bei der Auslegung Ihrer Anlage, dass die angegebenen Werte (z. B. Berstdruck, Überlastgrenze) in Abhängigkeit vom verwendeten Material und Gewinde gelten.
- Die für Ihre Montagestelle gültigen Werte für Anzugsmoment und Maximaldruck entnehmen Sie bitte den Unterlagen Ihres HD-Rohr-Lieferanten.

**Funktionsprüfung**

- i** Das Ausgangssignal muss sich dem anstehenden Druck proportional verhalten. Wenn dies nicht so ist, kann das ein Hinweis auf eine Beschädigung der Membran sein. Lesen Sie in diesem Fall in Kapitel 10 „Störbeseitigung“ nach.

**Warnung**

- Öffnen Sie Anschlüsse nur im drucklosen Zustand!
- Beachten Sie die Betriebsparameter gemäß Punkt 7 „Technische Daten“.
- Betreiben Sie das Druckmessgerät immer innerhalb des Überlastgrenzbereichs!

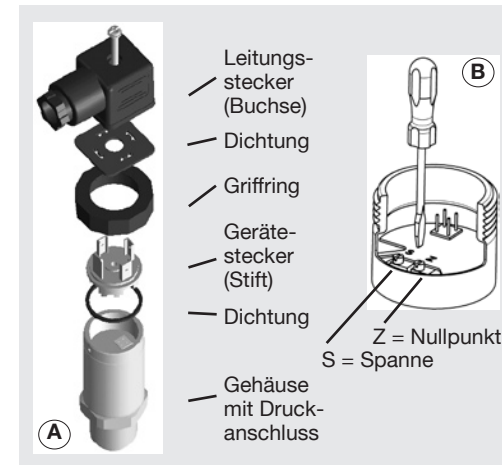
**Vorsicht**

Beachten Sie beim Berühren des Druckmessgerätes, dass die Oberflächen der Gerätekomponenten während des Betriebes heiß werden können.

**8. Einstellung Nullpunkt / Spanne** (nur bei Geräten mit Griffing)

- i** Wir empfehlen Ihnen, das Spannpotentiometer nicht zu verstellen. Es dient zur werkseitigen Justage und sollte nur von Ihnen verstellt werden, wenn Sie über die ausreichende Kalibrierausstattung (mindestens 3x genauer als die angegebene Genauigkeit) verfügen.

- Achten Sie bei der Steckerdemontage /-montage darauf, dass keine Litzen abgerissen bzw. eingquetscht werden.
- Ziehen Sie den Leitungstecker (Buchse) ab. Öffnen Sie das Druckmessgerät, indem Sie den Griffing lösen (siehe Abbildung (A)). Ziehen Sie vorsichtig den Gerätestecker (Stift) aus dem Gehäuse.
- Stellen Sie den Nullpunkt (Z) ein (siehe Abbildung (B)), indem Sie den Druckanfangswert anfahren.
- Stellen Sie die Spanne (S) ein, indem Sie den Druckendwert anfahren.
- Überprüfen Sie den Nullpunkt.
- Wenn der Nullpunkt nicht stimmt ggf. Prozedur wiederholen.
- Schließen Sie das Druckmessgerät wieder sorgfältig. Ziehen Sie den Griffing mit 5 Nm an. Achten Sie darauf, dass die Dichtungen unbeschädigt und sauber sind und auf die korrekte Lage der Dichtungen, um die Schutzart zu gewährleisten.



Empfohlener Nachkalibrier-Zyklus: halbjährlich



Bei Rückfragen (+49) 9372/132-295

**9. Wartung, Zubehör**

- i** ■ WIKA Druckmessgeräte sind wartungsfrei.
- Lassen Sie Reparaturen nur vom Hersteller durchführen.

**Zubehör**

Entnehmen Sie bitte Zubehöranlagen (z. B. Stecker) unserer aktuellen Standardpreisliste, dem CD-Katalog oder setzen Sie sich mit unserem Vertriebsmitarbeiter in Verbindung.

## 10. Störbeseitigung



**Warnung**

Öffnen Sie Anschlüsse nur im drucklosen Zustand!



**Warnung**

- Ergreifen Sie Vorsichtsmaßnahmen für Messstoffreste in ausgebauten Druckmessgeräten. Messstoffreste können zur Gefährdung von Menschen, Umwelt und Einrichtung führen!
- Setzen Sie das Druckmessgerät außer Betrieb und schützen Sie es gegen versehentliche Inbetriebnahme, wenn Sie Störungen nicht beseitigen können.
- Lassen Sie Reparaturen nur vom Hersteller durchführen.



Verwenden Sie keine spitzen bzw. harten Gegenstände zur Reinigung, denn die Membran des Druckanschlusses darf nicht beschädigt werden.

Prüfen Sie bitte vorab, ob Druck ansteht (Ventile/Kugelhahn usw. offen) und ob Sie die richtige Spannungsversorgung und die richtige Verdrahtungsart (2-Leiter/3-Leiter) gewählt haben.

Störung	Mögliche Ursache	Maßnahme
Kein Ausgangssignal	Leitungsbruch	Durchgang überprüfen
	Keine/Falsche Versorgungsspannung oder Stromstoß	Versorgungsspannung gemäß Betriebsanleitung korrigieren *)
Kein/Falsches Ausgangssignal	Verdrahtungsfehler (z. B. 2-Leiter als 3-Leiter verdrahtet)	Anschlussbelegung beachten (siehe Typenschild / Betriebsanleitung)
Gleichbleibendes Ausgangssignal bei Druckänderung	Falsche Versorgungsspannung oder Stromstoß	Gerät austauschen
Abweichendes Ausgangssignal	Nullpunkt-Änderung durch Druckdynamik	Nullpunkt nachjustieren
Signalspanne zu hoch	Druckspitzen / Kavitationen	Gerät mit Kavitation- und Druckspitzen-schutz einsetzen
Signalspanne zu klein	Versorgungsspannung zu hoch/niedrig	Versorgungsspannung gemäß Betriebsanleitung korrigieren

11379180.01 GB/D/FE 08/2008

Störung	Mögliche Ursache	Maßnahme
Signalspanne schwankend	EMV-Störquellen in Umgebung, z. B. Frequenzumrichter	Gerät abschirmen; Leitungsabschirmung; Störquelle entfernen
	Stark schwankender Druck des Prozessmediums	Dämpfung; Beratung durch Hersteller
	Gerät nicht geerdet	Gerät erden
Leckage am Druckanschluss	Haarriss im Druckkanal	Beratung durch den Hersteller (evtl. Reparatur); Gerät austauschen

Im unberechtigtem Reklamationsfall berechnen wir die Reklamationsbearbeitungs-Kosten.

\*) Überprüfen Sie nach dem Justieren/der Montage die korrekte Arbeitsweise des Systems. Besteht der Fehler weiterhin, senden Sie das Gerät zur Reparatur ein (oder tauschen Sie das Gerät aus).

Wenn das Problem bestehen bleibt, setzen Sie sich mit unserem Vertriebsmitarbeiter in Verbindung.

**Prozess Material Zertifikat** (Kontaminationserklärung im Servicefall)

Spülen bzw. säubern Sie ausgebaute Geräte vor der Rücksendung, um unsere Mitarbeiter und die Umwelt vor Gefährdung durch anhaftende Messstoffreste zu schützen.

Eine Überprüfung ausgefallener Geräte kann nur sicher erfolgen, wenn das vollständig ausgefüllte Rücksendeformular vorliegt. Eine solche Erklärung beinhaltet alle Materialien, welche mit dem Gerät in Berührung kamen, auch solche, die zu Testzwecken, zum Betrieb oder zur Reinigung eingesetzt wurden. Das Rücksendeformular ist über unsere Internet-Adresse ([www.wika.de](http://www.wika.de) / [www.wika.com](http://www.wika.com)) verfügbar.

## 11. Lagerung, Entsorgung



**Warnung**

Ergreifen Sie bei Lagerung und Entsorgung Vorsichtsmaßnahmen für Messstoffreste in ausgebauten Druckmessgeräten. Wir empfehlen eine geeignete und sorgfältige Reinigung. Messstoffreste können zur Gefährdung von Menschen, Umwelt und Einrichtung führen!

### Lagerung



Montieren Sie die Schutzkappe bei Lagerung des Druckmessgerätes, damit der Dichtkonus nicht beschädigt wird.

### Entsorgung



Entsorgen Sie Gerätekomponenten und Verpackungsmaterialien entsprechend den einschlägigen landesspezifischen Abfallbehandlungs- und Entsorgungsvorschriften des Anliefergebietes.

Technische Änderungen vorbehalten.



## 1. Informations importantes

Veillez lire ce mode d'emploi avant le montage et la mise en service de transmetteur de pression. Conservez ce mode d'emploi dans un endroit accessible en tout temps pour tous les utilisateurs. Les instructions de montage et de service présentées ci-après ont été établi avec grand soin. Il reste toutefois impossible d'envisager tous les cas d'applications possibles.

Dans le cas où vous constateriez des lacunes dans ces instructions pour les tâches spéciales qu'il vous faut exécuter, vous avez la possibilité de recevoir des compléments d'informations:

- Sous notre adresse internet [www.wika.de](http://www.wika.de) / [www.wika.com](http://www.wika.com)
- La fiche technique de ce produit a la désignation PE 81.29 (HP-1) / PE 81.53 (HP-2)
- Par contact direct avec notre conseiller applications (+49) 9372/132-295

Pour les modèles avec numéros spéciaux comme par exemple HP-20000, veuillez prendre en considération les spécifications selon le bordereau de livraison.

Si le numéro de série sur la plaque de fabrication et/ou la codification 2D sur l'hexagone du raccord n'est (ne sont) plus lisible (s) (par exemple par endommagement mécanique ou si le numéro est recouvert de peinture), la traçabilité n'est plus assurée.

La conception et la fabrication des transmetteurs de mesure WIKA, tels que décrits dans les instructions de service, satisfont aux toutes dernières règles de l'art. Tous les composants sont soumis à un contrôle strict des critères de qualité et d'environnement en cours de fabrication. Notre système de gestion de l'environnement est certifié selon DIN EN ISO 14001.

En raison des charges externes auxquelles sont soumis les matériaux sur lesquels une haute pression est appliquée, une résistance aux changements de pression n'est indiquée que partiellement. Cela est surtout valable pour les applications dynamiques. Par conséquent, il s'agit, pour les pièces des convertisseurs de mesure à très haute pression HP-1 / HP-2 soumises à une pression, de pièces d'usure ne faisant pas partie de la garantie.

### Définition conforme d'utilisation du produit HP-1/HP-2






Utilisez le transmetteur de pression afin de transformer la pression en signal électrique dans aux applications très hautes pressions > 1000 bar.

**Vos connaissances nécessaires:** N'installez et ne mettez en service le transmetteur de pression que si vous avez les connaissances exactes des directives spécifiques nationales et si vous êtes en possession de la qualification en rapport. Vous devez posséder des connaissances des prescriptions pour la technique de mesure et régulation et des circuits électriques étant donné que le transmetteur de pression est un équipement électrique selon EN 50178. Suivant les conditions d'utilisation vous devez disposer de connaissances particulières, par exemple sur les fluides agressifs ou les hautes pressions.

## 2. Aperçu rapide

Si vous voulez vous procurer un résumé rapide, veuillez lire les **chapitres 3, 5, 7 et 11**. Là vous trouverez des indications concernant votre sécurité et des informations importantes sur votre produit et sa mise en service. **Veillez absolument en prendre connaissance.**

## 3. Explication des symboles, abréviations

	Risque de danger de mort ou de blessures graves.		Remarques, informations importantes, dérangement de fonction.
<b>Avertissement</b>			
	Risque de danger de mort ou de blessures graves par des pièces éjectées.		Ce produit est conforme aux directives européennes correspondantes.
<b>Avertissement</b>			
	Possibilité de danger de brûlures par surfaces brûlantes.		
<b>Attention</b>			
2-fils	Deux conducteurs servent à l'alimentation. Le courant de l'alimentation est le signal de mesure.	UB	Alimentation positive raccord
3-fils	Deux conducteurs servent à l'alimentation. Un conducteur sert au signal de mesure.	S+	Positive raccord mesure
		OV-	Alimentation négative raccord

**4. Fonction:** A l'aide d'un capteur et sous alimentation électrique, on obtient la transformation en un signal amplifié, normalisé et électrique de la pression appliquée, par la déformation d'une membrane. Ce signal électrique varie proportionnellement par rapport à la pression et peut être exploité en rapport.

## 5. Pour votre sécurité



### Avertissement

- Choisissez le transmetteur de pression adéquat, avant le montage et la mise en service, en rapport à l'étendue de mesure, l'exécution et les conditions de mesure spécifiques
- Respectez les prescriptions de sécurité nationales (comme par exemple: EN 50178) et observez lors d'applications spéciales les normes et règlements en rigueur. **Si vous ne respectez pas les prescriptions correspondantes, de graves lésions corporelles et dégâts matériels peuvent en résulter!**
- **N'ouvrez les raccords que hors pression!**
- N'utilisez le transmetteur de pression qu'à l'intérieur de la zone limite!
- Prenez en considération les paramètres de service selon le chapitre 7 „Caractéristiques techniques”.
- Assurez-vous que le transmetteur de pression ne soit utilisé qu'en accord avec le règlement, c'est-à-dire comme décrit dans la directive suivante.
- Abstenez-vous d'effectuer des empiètements et changements inadmissibles sur le transmetteur de pression n'étant pas décrits dans le mode d'emploi.
- Si vous ne pouvez pas éliminer des dérangements sur le transmetteur de pression, mettez celui-ci hors service et protégez le contre une remise en service par inadvertance.
- **Prenez des mesures de sécurité pour les restes de fluides se trouvant dans les transmetteurs de pression démontés. Ces restes de fluides peuvent mettre en danger les personnes, l'environnement ainsi que l'installation !**
- Ne faites effectuer les réparations que par le fabricant. Veuillez tenir compte du fait que, dans un système, l'élément conçu pour la pression la plus basse détermine la pression de service maximale admissible pour le système entier, même si des composants individuels pourraient être soumis à des charges plus élevées. Si, dans le système, il faut s'attendre à des pressions instables ou qui diffèrent, il convient d'utiliser des composants résistant aux pointes de pression maximales.



Prenez des mesures de protection adéquates qui empêchent la projection de pièces en cas de défaillance. Ces dispositifs de protection ne doivent pas être démontables sans outillage.

Les données relatives à la résistance à la corrosion et diffusion des instruments se trouvent dans le manuel WIKA sur la mesure des pressions et des températures.

## 6. Emballage

### Est-ce que la livraison est complète ?



Contrôlez le volume de la livraison:  
Transmetteurs de pression complets

- Examinez le transmetteur de pression en vue de dommages éventuels résultant du transport. Si des dommages sont évidents, veuillez en informer immédiatement l'entreprise de transport et WIKA.
- Conservez l'emballage, celui-ci offre lors d'un transport une protection optimale (par exemple changement du lieu d'utilisation, renvoi pour réparation).
- Veillez à ce que le filetage du raccord pression ainsi que les contacts de branchement ne soient pas détériorés.

Afin de protéger le cône d'étanchéité, le raccord pression de l'appareil HP-1/HP-2 est muni d'un capuchon de protection.



- N'enlevez ce capuchon que juste avant le montage afin que le cône d'étanchéité ne soit pas endommagé.
- Conservez le capuchon de protection du filetage du raccord pression et la membrane pour un stockage ou pour un transport futur.
- Remontez le capuchon de protection lors du démontage ou transport de transmetteur de pression.

## 7. Mise en service, exploitation



Outillage nécessaire: clé à fourche de 27, tournevis



### Avertissement

Utilisez le transmetteur de pression uniquement s'il est dans un état parfait quant à la sécurité technique.

## Montage du raccord



Fondamentalement est valable le numéro de série sur la plaque de fabrication. S'il n'y a pas de numéro de série sur la plaque de fabrication, le numéro sur l'hexagone est valable.



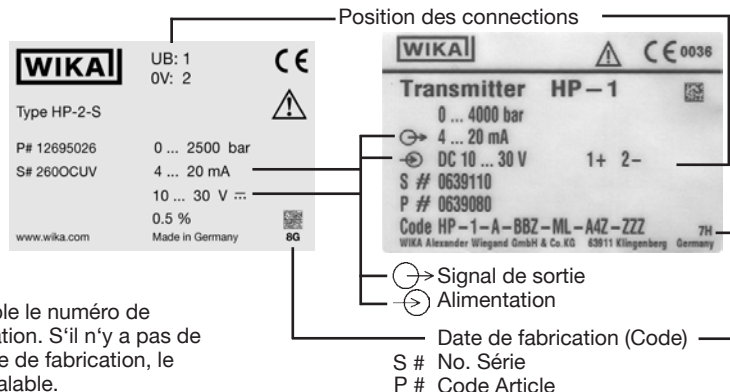
- Sortez le transmetteur de son emballage et assurez vous au moyen de la plaque de fabrication qu'il s'agit bien du type souhaité.
- Veillez faire attention lors du montage à ce que les surfaces d'étanchéité de l'appareil et du point de mesure ne soient pas détériorées ou malpropres.
- Serrez ou desserrez l'appareil uniquement par l'intermédiaire des surfaces pour clés à l'aide d'un outil approprié en respectant le couple de serrage. Le couple de serrage correct dépend de la dimension du raccord de pression ainsi que du joint utilisé (forme / matière). Pour visser ou dévisser l'appareil, n'utilisez pas le boîtier en tant que surface d'attaque.
- Les valeurs qui conviennent à votre lieu de montage pour couple de montage et pression maxi figurent dans les documents de votre fournisseur de tuyaux haute pression.
- Prenez garde lors du vissage de l'appareil, que le pas de vis ne se coince pas.

## Montage branchement électrique



- Veillez mettre l'appareil à la terre par l'intermédiaire du raccord pression.
- Utilisez le transducteur de pression avec un câble blindé et mettez-le à la terre au moins d'un côté si la longueur du câble dépasse 30 m (système à deux fils) ou dépasse 3 m (système à 3 ou 4 fils) ou si vous sortez le câble d'un bâtiment.

## Plaque de fabrication (exemple)



## Montage branchement électrique

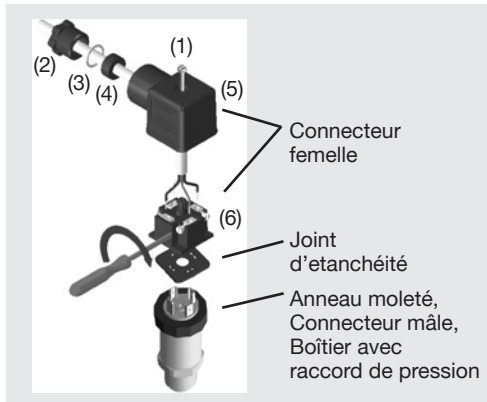
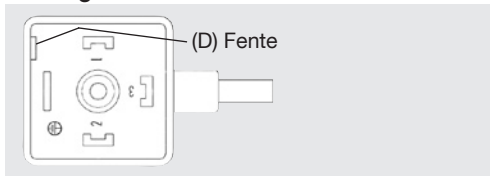


- Utilisez uniquement des sources de courant qui garantissent une séparation électrique sûre de la tension de service conformément à la norme IEC/DIN EN 60204-1. Tenez compte également des exigences générales concernant les circuits électriques PELV conformément aux normes IEC/DIN EN 60204-1.
- Protection IP selon IEC 60 529 (les degrés de protection indiqués ne sont valables que pour les connecteurs enfichés avec connecteurs femelles possédant l'indice de protection correspondant).
- Choisissez le diamètre du câble en rapport au presse étoupe du connecteur. Faites attention à ce que le serre-câble du connecteur assemblé soit bien positionné et que les joints soient tous présents et non endommagés. Serrez les raccords à fond et contrôlez la position correcte des joints afin d'assurer l'indice de protection.
- En cas d'utilisation de sorties par câble, veuillez vous assurer qu'aucune humidité ne puisse entrer à la sortie du câble.

## Branchement électrique

	Connecteur coudé DIN 175301-803 A	Connecteur M12x1	Sortie câble	
2-fils	UB = 1   OV = 2	UB = 1   OV = 3	UB = brun	OV = vert
3-fils	UB = 1   OV = 2   S+ = 3	UB = 1   OV = 3   S+ = 4	UB = brun	OV = vert   S+ = blanc
Section de conducteur	jusqu'à un maximum de 1,5 mm <sup>2</sup>	-	0,5 mm <sup>2</sup> (AWG 20)	
Diamètre extérieur du conducteur	6 à 8 mm	-	6,8 mm	
Protection selon IEC 60 529	IP 65	IP 67	IP 67	
Les degrés de protection indiqués ne sont valables que pour les connecteurs enfichés avec connecteurs femelles possédant l'indice de protection correspondant.				

## Montage de Connecteur coudé DIN EN 175301-803



1. Desserrez la vis (1).
2. Desserrez le presse-étoupe (2).
3. Retirez le connecteur femelle (5) de l'appareil y compris le porte-contact (6).
4. A l'aide d'un tournevis introduit dans la fente (D), dégagez le porte-contact du boîtier du connecteur. N'essayez pas de dégager le porte-contact (6) en introduisant le tournevis dans le trou de la vis (1) ou dans le presse-étoupe (2), vous endommageriez les joints du boîtier.
5. Choisissez le diamètre du câble par rapport au presse-étoupe du boîtier. Introduisez le câble dans le presse-étoupe (2), l'anneau (3), le joint (4) et le boîtier (5).
6. Branchez les conducteurs conformément au plan de câblage sur les bornes de branchement du porte-contact (6).
7. Pressez le porte-contact (6) dans le boîtier (5).
8. Vissez le presse-étoupe (2) avec le câble. Afin de garantir le degré de protection, veillez à ce que les joints ne soient pas endommagés et que ceux-ci et le presse-étoupe soient correctement positionnés.
9. Enfitez le joint carré plat sur les contacts du boîtier.
10. Connectez le porte-contact (6) sur l'embase mâle du boîtier.
11. A l'aide de la vis (1), vissez le boîtier (5) avec le porte-contact (6) sur l'appareil.

11379180.01 GB/D/FE 08/2008

## Données techniques Type HP-1

Etendue de mesure <sup>1)</sup>	bar	1.600	2.500	4.000	5.000	6.000	7.000	8.000
Limites de surcharge	bar	2.300	3.500	5.000	6.000	7.000	8.000	10.000
Pression de destruction	bar	4.000	6.000	8.000	10.000	11.000	11.000	12.000
		1) > 8.000 bar sur demand						
Matériaux								
■ Parties en contact avec le fluide		Acier inox						
■ Boîtier		Acier inox						
Alimentation UB	UB en VDC	10 ... 30 (14 ... 30 avec signal de sortie 0 ... 10 V)						
Signal de sortie et charge ohmique max autorisée RA	RA en Ohm	4 ... 20 mA, 2-fils			RA ≤ (UB – 10 V) / 0,02 A			
		{0 ... 5 V, 3-fils}			RA > 5.000			
		{0 ... 10 V, 3-fils}			RA > 10.000			
		{Autres signaux de sortie sur demand}						
Réglage: point zero, gain	%	± 5 par potentiomètres dans l'instrument						
Temps de transmission (10 ... 90 %)	ms	≤ 1						
Rigidité diélectrique	VDC	500						
Précision	% du gain	≤ 0,25 (BFSL)						
	% du gain	≤ 0,5 <sup>2)</sup>						
		<sup>2)</sup> Inclusif non-linéarité, hystérésis, zéro et déviation de l'étendue de mesure (correspond à l'erreur de mesure selon IEC 61298-2).						
Non-linéarité	% du gain	≤ 0,2 (BFSL) selon IEC 61298-2						
Stabilité sur un an	% du gain	≤ 0,2 (pour les conditions de référence)						
Température autorisée	■ Du fluide <sup>3)</sup>	°C	0 ... +80					
	■ De l'environnement <sup>3)</sup>	°C	-20 ... +80					
	■ De stockage <sup>3)</sup>	°C	-40 ... +85					
		<sup>3)</sup> Accomplit également EN 50178, tableau 7, utilisation (C) 4K4H, stockage (D) 1K4, transport (E) 2K3						

11379180.01 GB/D/FE 08/2008

**Données techniques Type HP-1**

Plage de température nominale	°C	0 ... +80
Erreur de température sur de température nominale		
	■ Coef. de temp. moy. du point 0	% du gain ≤ 0,2 / 10 K
	■ Coef. de temp. moy.	% du gain ≤ 0,2 / 10 K
Conformité -CE		
	■ Directive Equipements sous Pression	97/23/EG
	■ CEM directive	89/336/CEE Emission de perturbations (classe B) et résistance aux perturbations selon EN 61 326
Résistance aux chocs	g	100 selon IEC 60068-2-27 (chock mécanique)
Résistance aux vibrations	g	5 selon IEC 60068-2-6 (vibration en cas de résonance)
Protection électrique		
	■ Résistance au court-circuit	Sig+ contre UB-
	■ Protection fausse polarité	UB+ contre UB-
Poids	kg	Environ 0,3

{ } Les données entre accolades précisent les options disponibles contre supplément de prix.

**Données techniques Type HP-2**

Etendue de mesure	bar	1.600	2.500	4.000	5.000	6.000	7.000	8.000	10.000
Limites de surcharge	bar	2.300	3.500	5.000	6.000	7.000	8.000	10.000	11.000
Pression de destruction	bar	4.000	6.000	8.000	10.000	11.000	11.000	12.000	12.000
Etendue de mesure	psi	23.000	36.000	58.000	72.000	87.000	100.000	115.000	145.000
Limites de surcharge	psi	33.300	50.500	72.500	87.000	101.500	116.000	145.000	159.500
Pression de destruction	psi	58.000	87.000	116.000	145.000	159.500	159.500	174.000	174.000
		jusqu'à 15.000 bar / 217.000 psi sur demand							

11379180.01 GB/D/FE 08/2008

**Données techniques Type HP-2**

Matériaux		
	■ Parties en contact avec le fluide	1.4534
	■ Boîtier	Acier inox
Alimentation UB	UB en VDC	10 ... 30 (14 ... 30 avec signal de sortie 0 ... 10 V)
Signal de sortie et	RA en Ohm	4 ... 20 mA, 2-fils RA ≤ (UB - 10 V) / 0,02 A
charge ohmique max autorisée RA		0 ... 5 V, 3-fils RA > 5 k
		0 ... 10 V, 3-fils RA > 10 k
		Autres signaux de sortie sur demand
Réglage: point zero	%	± 5 par potentiomètres dans l'instrument
Temps de transmission (10 ... 90 %)	ms	≤ 1
Rigidité diélectrique	VDC	500
Précision	% du gain	≤ ± 0,5 *)
	% du gain	≤ ± 0,25 *) sur demand
		*) Inclusif non-linéarité, hystérésis, zéro et déviation de l'étendue de mesure (correspond à l'erreur de mesure selon IEC 61298-2).
Stabilité sur un an	% du gain	≤ 0,1 (pour les conditions de référence)
Température autorisée		
	■ Du fluide **)	0 ... +80 °C
	■ De l'environnement **)	-20 ... +80 °C
	■ De stockage **)	-40 ... +85 °C
		***) Accomplit également EN 50178, tableau 7, utilisation (C) 4K4H, stockage (D) 1K4, transport (E) 2K3
Plage de température nominale		0 ... +80 °C
Erreur de température sur plage de température nominale	%	≤ 1,0 typ. ≤ 2,5 max.
Conformité -RoHS		sur demande

11379180.01 GB/D/FE 08/2008

**Données techniques** Type HP-2

Conformité -CE			
■ Directive Equipements sous Pression		97/23/EG	
■ CEM directive		2004/108/EG, Emission de perturbations (group 1, classe B) et résistance aux perturbations	
Résistance aux chocs	g	100 (2,4 ms)	selon IEC 60068-2-27
Résistance aux vibrations	mm	0,35 (10 ... 55 Hz)	selon IEC 60068-2-6
Protection électrique			
■ Résistance au court-circuit		Sig+ contre UB-	
■ Protection fausse polarité		UB+ contre UB-	
Poids	kg	Environ 0,3	

- i** ■ Veuillez prendre en considération lors de la conception de votre installation, que les valeurs indiquées (par exemple pression d'éclatement, limite de surcharge) dépendent de la matière utilisée et du filetage utilisé.
- Les valeurs qui conviennent à votre lieu de montage pour couple de montage et pression maxi figurent dans les documents de votre fournisseur de tuyaux haute pression.

**Vérification du fonctionnement**

- i** Le signal de sortie doit se comporter proportionnellement à la pression présente. Si ce n'est pas le cas, ceci peut être une indication que la membrane est endommagée. Dans ce cas veuillez lire "élimination de perturbations" dans le chapitre 10.

**Avertissement**

- **N'ouvrez les raccords que hors pression!**
- Prenez en considération les paramètres de service selon le chapitre 7 "Caractéristiques techniques".
- N'utilisez le transmetteur de pression qu'à l'intérieur de la zone limite de surcharge!

11379180.01 GB/D/FE 08/2008

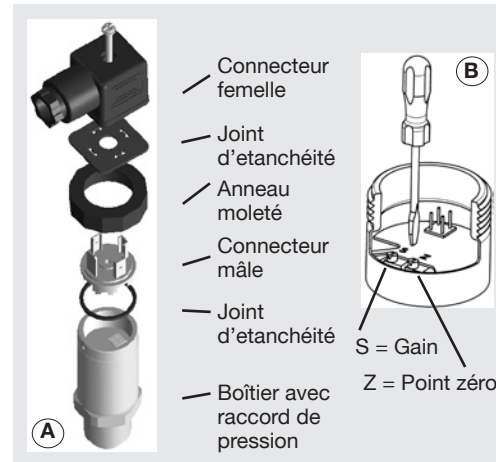
**Attention**

Considérez que quand vous touchez le transmetteur de pression en fonctionnement, la surface des composants des appareils peut être brûlante.

**8. Réglage du zéro / gain** (uniquement pour appareils à anneau moleté)

- i** Nous vous recommandons de ne pas dérégler le potentiomètre de gain. Il sert au réglage d'usine et ne devrait être réajusté de votre part que si vous disposez d'un équipement de calibration suffisant (au minimum 3x plus précis que la précision donnée).

- Veillez lors du montage et démontage du connecteur à ce qu'aucun fil ne soit arraché ou pincé.
- Débranchez le connecteur femelle. Ouvrez l'appareil de mesure de pression (voir image (A)) en dévissant l'anneau moleté. Retirez le connecteur mâle du boîtier avec précaution.
- Réglez le zéro (Z) (voir image (B)) en appliquant la valeur de pression de départ.
- Réglez le gain (S) en appliquant la valeur de pression finale.
- Contrôlez le zéro.
- Au cas où le zéro n'est pas correct, répéter la procédure.
- Refermez soigneusement l'appareil de mesure de pression. Faites attention à ce que les joints ne soient pas endommagés et à leur position correcte afin d'assurer l'indice de protection.



Il est recommandé de procéder à un rééquilibrage tous les six mois.

En cas de problèmes  (+49) 9372/132-295

## 9. Entretien, accessoires

- Les transmetteurs WIKA ne demandent aucune maintenance.
- Ne faites effectuer les réparations que par le fabricant.

**Accessoires:** Les renseignements concernant les accessoires (par exemple connecteurs) figurent dans le tarif de stock actuel, le "Product Catalog" en CD-Rom ou veuillez prendre contact avec notre département commercial.

## 10. Elimination de perturbations



N'ouvrez les raccords que hors pression!

### Avertissement



### Avertissement

- Prenez des mesures de sécurité pour les restes de fluides se trouvant dans les transmetteurs de pression démontés. Ces restes de fluides peuvent mettre en danger les personnes, l'environnement ainsi que l'installation !
- Si vous ne pouvez pas éliminer des dérangements sur le transmetteur de pression, mettez celui-ci hors service et protégez le contre une remise en service par inadvertance.
- Ne faites effectuer les réparations que par le fabricant.



N'utilisez aucun objet pointu ou dur pour le nettoyage, car la membrane du raccord pression ne doit en aucun cas être endommagée.

Veuillez contrôler au préalable si la pression est présente (vannes / robinets à boisseau sphérique, etc. ouvert) et si vous avez choisi la tension d'alimentation correcte et le système de câblage correspondant (2 fils / 3 fils).

Perturbations	Cause	Mesures à prendre
Pas de signal de sortie	Rupture de conducteur Tension d'alimentation manquante / fausse ou pointe de surtension	Contrôler le passage du courant Corriger la tension d'alimentation selon le mode d'emploi *)
Pas de / ou faux signal de sortie	Erreur de câblage (par ex. système a deux fils connecté en système a trois fils)	Respecter la position des raccords (voir plaquette signalétique / mode d'emploi)

11379180.01 GB/D/FE 08/2008

Perturbations	Cause	Mesures à prendre
Lors d'une variation de pression le signal de sortie reste constant	Fausse tension d'alimentation ou pointe de surtension	Remplacer l'appareil
Signal de sortie divergent	Déplacement du zéro par dynamique de pression	Corriger le zéro
Gain du signal trop haut	Pointes de pression / Cavitations	Employez un instrument avec protection contre cavitations et pics de pression
Gain du signal trop faible	Tension d'alimentation trop élevée / trop basse	Corriger la tension d'alimentation selon le mode d'emploi
Gain du signal fluctuant	Source de compatibilité électromagnétique aux environs, par ex. convertisseur de fréquence	Blinder l'appareil; blinder les conducteurs; éliminer la source de parasites
	Pression du fluide de processus soumise a de fortes fluctuations	Amortissement; conseils par le fabricant
	Appareil non mis a la terre	Mettre l'appareil a la terre
Pertes de fluide en raccord pression	Microfissures en canal de pression	conseils par le fabricant (éventuellement réparation); Remplacer l'appareil

En cas de réclamation non justifiée, nous mettrons en facture les coûts de traitement de celle-ci.

\*) Contrôlez après le réglage/le montage le fonctionnement correct du système. Au cas où l'erreur persiste, renvoyez l'appareil pour réparation (ou remplacez l'appareil).

Si un problème reste présent, veuillez prendre contact avec notre département commercial.

### Certificat de matière de processus (déclaration de contamination en cas de réparation)

Veuillez laver ou nettoyer les appareils démontés avant de les renvoyer afin de protéger nos employés et l'environnement des risques présentés par les résidus de fluide adhérents.

Un contrôle des appareils en panne ne peut être effectué de façon sûre que si la déclaration de contamination est complète. Cette déclaration comporte toutes les matières ayant été en contact avec l'appareil, également celles ayant été utilisées lors d'essais, en service ou lors du nettoyage. La "Product Return Form" peut être téléchargée de notre adresse Internet ([www.wika.de](http://www.wika.de) / [www.wika.com](http://www.wika.com))

11379180.01 GB/D/FE 08/2008

## 11. Stockage, mise au rebut



**Avertissement**

Veillez prendre les précautions de sécurité pour la mise au rebut et pour le stockage des fluides se trouvant dans les transmetteurs de pression démontés. Nous recommandons un nettoyage approprié et méticuleux. Ces restes de fluides peuvent mettre en danger les personnes, l'environnement ainsi que l'installation !

### Stockage



Remontez le capuchon de protection lors du stockage de l'appareil afin d'éviter que le cône d'étanchéité ne soit endommagé.

### Mise au rebut



Mettez les composants des appareils et les emballages au rebut en respectant les prescriptions nationales pour le traitement et la mise au rebut des régions de livraison.

WIKA se réserve le droit de modifier les présentes spécifications.

## 1. Detalles importantes para su información

Lea estas instrucciones de servicio antes del montaje y puesta en servicio del transmisor de presión. Guarde las instrucciones de servicio en un lugar accesible a cualquier usuario en cualquier momento.

Las siguientes instrucciones de montaje y de servicio han sido redactadas cuidadosamente. Pero a pesar de ello no es posible tener en cuenta todos los casos de aplicación. Si echara en falta informaciones para su problemática específica, podrá obtener más información:

- A través de nuestra dirección de Internet [www.wika.de](http://www.wika.de) / [www.wika.com](http://www.wika.com)
- La designación de la ficha técnica correspondiente PE 81.29 (HP-1) / PE 81.53 (HP-2)
- Asesores de utilización (+49) 9372/132-295

Para números de modelos especiales, p.ej. HP-20000, tenga en cuenta las especificaciones según albarán de entrega. Si el número de serie en el placa de identificación y/o el código 2D en el hexágono se vuelve ilegible (p. ej. por daños mecánicos o sobrepintado) ya no es posible la posibilidad de seguimiento.

Los transmisores de presión WIKA descritos en las instrucciones de servicio son diseñados y fabricados conforme a los conocimientos más recientes. Todos los componentes están sometidos a unos estrictos criterios de calidad y medioambientales durante la fabricación. Nuestro sistema de gestión medioambiental posee la certificación según la norma DIN EN ISO 14001.

Los transmisores de presión WIKA descritos en las instrucciones de servicio son diseñados y fabricados conforme a los conocimientos más recientes. Todos los componentes están sometidos a unos estrictos criterios de calidad y medioambientales durante la fabricación. Nuestro sistema de gestión medioambiental posee la certificación según la norma DIN EN ISO 14001.

Los materiales sometidos a alta presión deben aguantar cargas extremas. Por eso no es posible dar una garantía general de resistencia permanente a cambios de carga. Es especialmente válido para aplicaciones dinámicas. Por consecuencia, componentes de HP-1 / HP-2 que están bajo presión son piezas de desgaste no cubiertas por la garantía.

### Utilización del producto según el uso de destinación HP-1/HP-2

Utilice el transmisor de presión para convertir, en aplicaciones con alta presión >1000 bar, la presión en una señal eléctrica.

**Conocimientos requeridos:** Instale y ponga en servicio el transmisor de presión sólo si está familiarizado con las regulaciones y directivas relevantes de su país y si posee la cualificación necesaria. Debe estar familiarizado con las reglas y las regulaciones de la tecnología de medición y control y los circuitos eléctricos, ya que el transmisor de presión es „equipo eléctrico“ definido por EN 50178. Según las condiciones de aplicación, debe poseer los conocimientos correspondientes de, p.ej. medios agresivos respectivamente altas presiones.

## 2. Resumen rápido para usted

Si quiere un resumen rápido, léase las **secciones 3, 5, 7 y 11**. Allí, encontrará instrucciones para su seguridad y importantes informaciones sobre su producto y la puesta en funcionamiento. **Es imprescindible leerlas.**

## 3. Signos, símbolos y abreviaciones



**Advertencia**

Peligro potencial para su vida o lesiones graves.



**Advertencia**

Peligro potencial para su vida o lesiones graves por componentes proyectados.



Nota, información importante, falla de funcionamiento.



El producto cumple con las directivas europeas respectivas.





Peligro potencial de quemaduras por superficies calientes.

**Cuidado**

- 2 hilos Dos conexiones sirven para la energía auxiliar. El corriente de alimentación es el señal de medición.
- 3 hilos Dos conexiones sirven para la energía auxiliar. Una conexión sirve para la señal de medición.
- UB Conexión de alimentación positiva
- S+ Conexión de medición positiva
- 0V- Conexión de alimentación negativa

**4. Función:** Mediante un elemento sensor y el suministro de energía auxiliar, la presión existente en su aplicación se convertirá en una señal eléctrica reforzada, estandarizada, a través de la deformación de una membrana. Esta señal eléctrica cambia de forma proporcional respecto de la presión y puede ser evaluada respectivamente.

## 5. Para su seguridad



**Advertencia**

- Seleccione el transmisor de presión adecuado con respecto al rango de medición, versión, condiciones de medición específicas antes de instalar o poner en servicio el instrumento.
- Observe el reglamento nacional relevante (p.ej. EN 50178) y, para aplicaciones especiales, tenga en cuenta las normas y directivas vigentes. **Si no se observan las prescripciones de seguridad, ¡eso puede tener consecuencias graves como lesiones físicas graves y daños materiales!**
- ¡Abrir las conexiones de presión sólo en estado sin presión!
- Hay que respetar los límites de sobrecarga del rango de medición correspondiente.
- Observe los parámetros de servicio según sección 7 „Datos técnicos“.
- Asegurarse de que se utilicen los instrumentos de acuerdo con su destinación, como descrito en las siguientes instrucciones.
- Abstenerse de intervenciones y modificaciones en el transmisor de presión no descritas en estas instrucciones de servicio.

11379180.01 GB/D/FE 08/2008



**Advertencia**

- Ponga fuera de servicio el instrumento y protéjalo contra la puesta en servicio por error, si no puede eliminar las perturbaciones.
- **¡Tome medidas de precaución en cuanto a residuos de medios de medición en transmisores de presión desmontados. Medios residuales pueden causar daños en personas, medio ambiente y equipo!**
- Sólo el fabricante puede efectuar reparaciones.
- Tenga en cuenta de que en un sistema el componente con la presión máxima la más baja defina la presión de trabajo máxima admisible para el sistema completo, incluso si diferentes partes de ello se pueden exponer a cargas más altas. Si hay que contar con presiones fluctuantes o distintas en el sistema, se deberían emplear componentes pudiendo resistir a crestas de presión máximas que se puedan esperar.



Tome adecuadas medidas de protección para evitar que se eyecten partes en el caso de error. Estos dispositivos de protección no deben estar desmontables sin herramienta.

## 6. Embalaje

### ¿Se entregó todo?



Verifique el volumen del suministro:  
Transmisores de presión completos

- Rogamos revisen los equipos por eventuales daños que se hayan producido durante el transporte. Si detectara daños visibles, debe comunicarlo inmediatamente al transportista y a WIKA.
- Guárdese el embalaje ya que éste ofrece una protección ideal durante el transporte (p.ej. lugar de instalación cambiante, envío para revisión).
- Procure que la rosca de conexión de presión y los contactos de unión no resulten dañados.

Para proteger el cono de junta, hemos provisto la conexión de presión del instrumento HP-1/HP-2 de un capuchón protector especial.



- Saque este capuchón solamente justo antes de la instalación para evitar una avería de el cono de junta.

11379180.01 GB/D/FE 08/2008



- Guárdese la tapa de protección de la rosca y del diafragma para almacenaje o transporte posterior.
- Reinstale el capuchón protector al desmontaje y transporte del instrumento.

## 7. Puesta en servicio, funcionamiento



Herramienta necesaria: llave de boca SW 27, destornillador



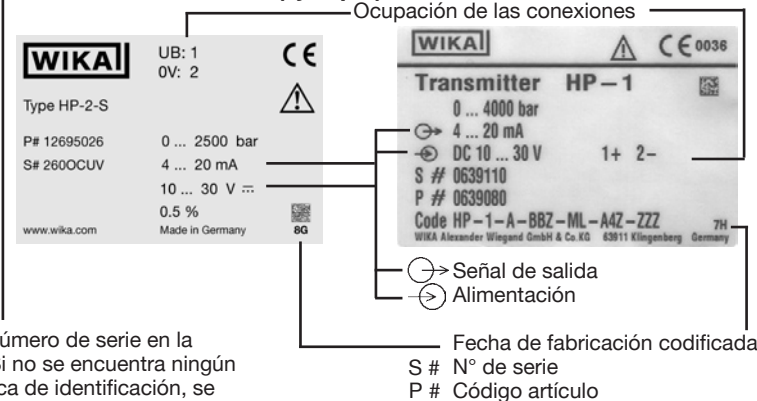
Utilice el transmisor de presión sólo si está en un estado impecable en razón de la seguridad.

### Advertencia

### Montaje de la conexión mecánica



### Placa de identificación (ejemplo)



En principio es válido el número de serie en la placa de identificación. Si no se encuentra ningún número de serie en la placa de identificación, se tomará el número del hexágono.



- Saque el transductor de presión del embalaje y asegúrese mediante de la placa indicadora de tipo de que se trate del modelo que usted necesite.
- Asegúrese, al montaje, de que las superficies de estanqueidad del instrumento y de los puntos de medición queden limpias e intactas.





- Saque el transductor de presión del embalaje y asegúrese mediante de la placa indicadora de tipo de que se trate del modelo que usted necesite.
- Asegúrese, al montaje, de que las superficies de estanqueidad del instrumento y de los puntos de medición queden limpias e intactas.
- Atornille o destornille el instrumento sólo a través de las superficies de llave utilizando una herramienta apropiada y el momento de torsión prescrito. El momento de torsión prescrito depende de la dimensión de la conexión de presión y de la junta utilizada (forma/material). No utilice la caja del instrumento para atornillar o destornillarlo.
- En la documentación de su proveedor de tubos alta presión encontrará los valores válidos de par de arranque y presión máxima para su lugar de montaje.
- Al atornillar, asegúrese de que las vueltas de rosca no resulten ladeadas.

### Montaje de la conexión eléctrica

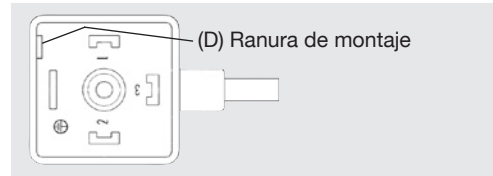


- Conecte a tierra el instrumento a través de la conexión de presión.
- Utilice el transmisor de presión con un cable blindado y ponga a tierra el blindaje, como mínimo en un lado del cable, cuando los cables tengan una longitud superior a 30 m (conductor doble) o 3 m (conductor triple o cuádruple) o salgan al exterior del edificio.
- Utilice exclusivamente fuentes de corriente que garanticen una desconexión electrónica segura de la tensión de servicio conforme a la IEC/DIN EN 60204-1. Preste también atención a las exigencias generales para circuitos PELV de conformidad con IEC/DIN EN 60204-1.
- Modo de protección IP según IEC 60 529 (las clases de protección indicadas se aplican sólo cuando el transmisor de presión esté conectado a unas hembrillas procurando el modo de protección correspondiente).
- Escoja el diámetro de cable de forma que sea apropiado para la boquilla de paso de la clavija. Asegúrese de que el racor de cable de la clavija ensamblada sea posicionado correctamente y que existan juntas no deterioradas. Aprete el racordaje y verifique la posición correcta de las juntas para asegurar el modo de protección.
- Asegúrese de que en las salidas de cables no entre ninguna humedad a la extremidad del cable.

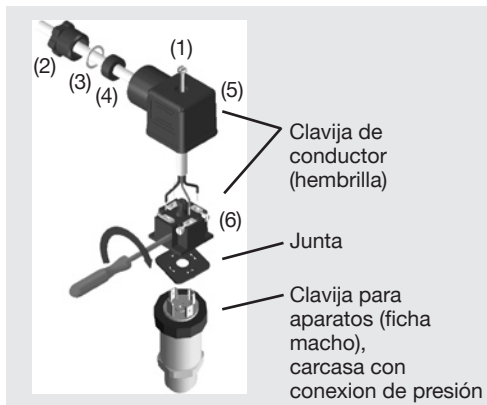
## Conexión eléctrica

	Conector DIN 175301-803 A	Conector circular M12x1	Salida de cable
			
Sistema 2 hilos	UB = 1   0V = 2	UB = 1   0V = 3	UB = marrón   0V = verde
Sistema 3 hilos	UB = 1   0V = 2   S+ = 3	UB = 1   0V = 3   S+ = 4	UB = verde   0V = verde   S+ = blanco
Para sección de conductores	hasta máx. 1,5 mm <sup>2</sup>	-	0,5 mm <sup>2</sup> (AWG 20)
Diámetro exterior del conductor	6 hasta 8 mm	-	6,8 mm
Modo de protección según IEC 60 529	IP 65	IP 67	IP 67
Las clases de protección indicadas se aplican sólo cuando el transmisor de presión esté conectado a unas hembrillas procurando el modo de protección correspondiente.			

## Conexión eléctrica DIN EN 175301-803



1. Destornille el tornillo central (1).
2. Abre el prensaestopas (2).
3. Estire el conector angular (5) con el bloque de terminales (6) en su interior, del instrumento.



11379180.01 GB/D/FE 08/2008

4. Saque el bloque de terminales (6) del conector angular (5), usando un destornillador pequeño como palanca en la ranura de montaje (D). Para no dañar la junta del conector angular, por favor no trate de expulsar el bloque de terminales (6) a través del prensaestopas (2) o del tornillo central (1).
5. Asegúrese que el diámetro exterior del cable usado es adecuado para el prensaestopas del conector angular. Pase el cable a través de la rosca (2), de la junta metálica (3), de la junta de goma (4) y del conector angular (5).
6. Conecte los conductores a los terminales del bloque (6) según el dibujo de asignación.
7. Monte el bloque de terminales (6) a presión adentro del conector angular (5).
8. Cierre el prensaestopas (2). Asegúrese que la junta de goma no este dañada y que todas las juntas estén montadas de forma correcta para asegurar la protección IP.
9. Ponga la junta plana cuadrada por encima de los conectores en el tope de la caja del instrumento.
10. Enchufe el bloque de terminales (6) a los conectores.
11. Monte el conector angular (5) y el bloque de conectores (6) al instrumento atornillando el tornillo central (1).

## Datos técnicos

## Model HP-1

Rango de medición <sup>1)</sup>	bar	1.600	2.500	4.000	5.000	6.000	7.000	8.000	
Límite de sobrecarga	bar	2.300	3.500	5.000	6.000	7.000	8.000	10.000	
Presión de rotura	bar	4.000	6.000	8.000	10.000	11.000	11.000	12.000	
		<sup>1)</sup> > 8.000 bar on request							
Material		Acero CrNi							
■ Piezas en contacto con el medio		Acero CrNi							
■ Carcasa		Acero CrNi							
Energía auxiliar UB	UB en VDC	10 ... 30 (14 ... 30 con salida 0 ... 10 V)							
Señal de salida y carga óhmica máx. admisible RA	RA en Ohm	4 ... 20 mA, 2-hilos				RA ≤ (UB - 10 V) / 0,02 A			
		{0 ... 5 V, 3-hilos}				RA > 5000			
		{0 ... 10 V, 3-hilos}				RA > 10000			
		{Otras señales de salida a petición}							

11379180.01 GB/D/FE 08/2008

Datos técnicos		Model HP-1	
Posibilidad de ajuste punto cero/rango	%	± 5 mediante potenciómetro dentro del equipo	
Tiempo de respuesta (10 ... 90 %)	ms	≤ 1	
Pruebe de rigidez dieléctrica	VDC	500	
Precisión	% del rango	≤ ± 0,25 (BFSL)	
		≤ ± 0,5 <sup>2)</sup>	
		<sup>2)</sup> No-Linealidad, histéresis y error de punto cero y span incluidas (correspondiente al error de medición según IEC 61298-2).	
No-Linealidad	% del rango	≤ 0,2	(BFSL) conforme a IEC 61298-2
Estabilidad al año	% del rango	≤ 0,2	(con condiciones de referencia)
Rangos de temperatura admisibles			
■ Medio <sup>3)</sup>		0 ... +80 °C	
■ Entorno <sup>3)</sup>		-20 ... +80 °C	
■ Almacenamiento <sup>3)</sup>		-40 ... +85 °C	
		<sup>3)</sup> Cumple también con EN 50178, tabla 7, Funcionamiento (C) 4K4H, Transport (E) 2K3, Almacenaje (D) 1K4, Transporte (E) 2K3	
Rango de temperatura nominal		0 ... +80 °C	
Coeficientes de temperatura en el rango de temperatura nominal			
■ CT medio del punto cero	% del rango	≤ 0.2 / 10 K	
■ CT medio del rango	% del rango	≤ 0.2 / 10 K	
CE- Indicativo			
■ Directiva para aparatos de presión		97/23/EG	
■ CEM-Directiva		89/336/EEC Emisión (class B) y resistencia conforme a EN 61 326	
Resistencia a choques	g	100 conforme a IEC 60068-2-27 (impacto mecánico)	
Resistencia a vibraciones	g	5 conforme a IEC 60068-2-6 (vibración con resonancia)	

11379180.01 GB/D/FE 08/2008

Datos técnicos		Model HP-1	
Tipos de protección eléctrica			
■ Resistencia a cortocircuitos		Sig+ contra UB-	
■ Protección contra polaridad inversa		UB+ contra UB-	
Peso	kg	Aprox. 0,3	

{ } Datos entre corchetes describen las especialidades que se pueden suministrar por un precio adicional.

Datos técnicos		Model HP-2									
Rango de medición	bar	1.600	2.500	4.000	5.000	6.000	7.000	8.000	10.000		
Límite de sobrecarga	bar	2.300	3.500	5.000	6.000	7.000	8.000	10.000	11.000		
Presión de rotura	bar	4.000	6.000	8.000	10.000	11.000	11.000	12.000	12.000		
Rango de medición	psi	23.000	36.000	58.000	72.000	87.000	100.000	115.000	145.000		
Límite de sobrecarga	psi	33.300	50.500	72.500	87.000	101.500	116.000	145.000	159.500		
Presión de rotura	psi	58.000	87.000	116.000	145.000	159.500	159.500	174.000	174.000		
		hasta 15.000 bar / 217.000 psi a petición									
Material											
■ Piezas en contacto con el medio		1.4534									
■ Carcasa		Acero CrNi									
Energía auxiliar UB	UB en VDC	10 ... 30 (14 ... 30 con salida 0 ... 10 V)									
Señal de salida y carga óhmica máx. admisible RA	RA en Ohm	4 ... 20 mA, 2-hilos				RA ≤ (UB - 10 V) / 0,02 A					
		0 ... 5 V, 3-hilos				RA > 5.000					
		0 ... 10 V, 3-hilos				RA > 10.000					
		Otras señales de salida a petición									
Posibilidad de ajuste punto cero	%	± 5 mediante potenciómetro dentro del equipo									
Tiempo de respuesta (10 ... 90 %)	ms	≤ 1									
Pruebe de rigidez dieléctrica	VDC	500									

11379180.01 GB/D/FE 08/2008

Datos técnicos		Model HP-2	
Precisión	% del rango	≤ 0,5	
		≤ 0,25 *)	
*) No-Linealidad, histéresis y error de punto cero y span incluidas (correspondiente al error de medición según IEC 61298-2).			
Estabilidad al año	% del rango	≤ 0,1	(con condiciones de referencia)
Rangos de temperatura admisibles			
■ Medio **)		0 ... +80 °C	
■ Entorno **)		-20 ... +80 °C	
■ Almacenamiento **)		-40 ... +85 °C	
**) Cumple también con EN 50178, tabla 7, Funcionamiento (C) 4K4H, Transport (E) 2K3, Almacenaje (D) 1K4, Transporte (E) 2K3			
Rango de temperatura nominal		0 ... +80 °C	
Error de temperatura en el rango de temperatura nominal		≤ 1,0 typ.	
		≤ 2,5 max.	
RoHS- Indicativo		a petición	
CE- Indicativo			
■ Directiva para aparatos de presión		97/23/EG	
■ CEM-Directiva		89/336/EEC Emisión (class B) y resistencia conforme a EN 61 326	
Resistencia a choques	g	100 (2,4 ms)	conforme a IEC 60068-2-27
Resistencia a vibraciones	mm	0,35 (10 ... 55 Hz)	conforme a IEC 60068-2-6
Tipos de protección eléctrica			
■ Resistencia a cortocircuitos		Sig+ contra UB-	
■ Protección contra polaridad inversa		Sig+ contra UB-	
Peso	kg	Aprox. 0,3	

11379180.01 GB/D/FE 08/2008



- En el momento de diseñar su instalación, por favor tome en cuenta que los valores indicados (por ej. presión de rotura, seguridad de sobrepresión) dependen del material y de la rosca usado.
- En la documentación de su proveedor de tubos alta presión encontrará los valores válidos de par de arranque y presión máxima para su lugar de montaje.

### Prueba de funcionamiento



La señal de salida debe ser proporcional a la presión. Si no lo es, eso podría ser un indicio de un deterioro de la membrana. Léase en este caso en la sección 10 „Eliminación de perturbaciones“.



#### Advertencia

- ¡Abra las conexiones sólo en estado sin presión!
- Tenga en cuenta los parámetros de servicio según sección 7 „Datos técnicos“.
- ¡Respete el límite de sobrecarga del rango de medición respectivo!



#### Advertencia

Al tocar el transmisor de presión, tenga en cuenta de que las superficies de los componentes del instrumento puedan calentarse durante el funcionamiento.

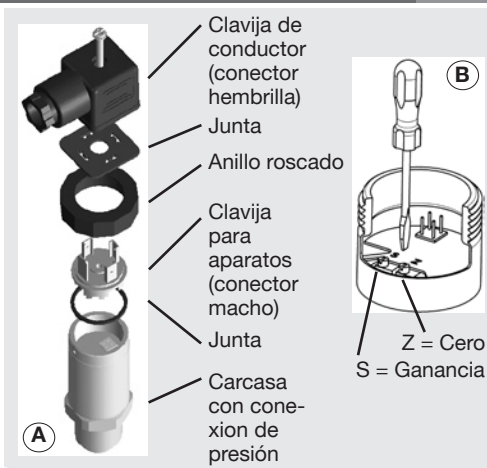
11379180.01 GB/D/FE 08/2008

### 8. Ajuste de cero / margen (sólo para instrumentos con anillo roscado)



No recomendamos que ajuste el potentiometro del span. Se usa para ajustes en fábrica y no debería ser ajustado si no dispone de los equipos de calibración adecuados (precisión por lo menos 3-veces superior al del instrumento).

- Asegúrese al desmontaje / montaje de la clavija de que no se rompan o compriman ningún conductor.
- Desmonta el conector hembrilla. Abrir transmisor de presión, desmontando el anillo roscado (ver (A)). Desmonta el conector macho del la carcasa con cuidado.
- Ajustar el cero (Z) (ver (B) ), generando el límite inferior del rango de presión.
- Ajuste el margen (S) y generando el límite superior del rango de presión
- Controle el cero.
- Si el cero es erróneo, repetir el procedimiento.
- Cierre el transmisor de presión cuidadosamente. Asegúrese de que las juntas no estén deterioradas y verifique su posición correcta para asegurar el modo de protección.



Para más información (+49) 9372/132-295

Recomendamos realizar una recalibración cada seis meses.

## 9. Mantenimiento, accesorios

- ¡Los transmisores WIKA están libres de mantenimiento!
- Sólo el fabricante puede efectuar reparaciones.

**Accesorios:** Detalles para los accesorios (p. ej. conectores) encontrará en la lista de precios WIKA, catálogo de productos WIKA sobre CD-Rom o póngase en contacto con nuestro departamento de venta.

## 10. Eliminación de perturbaciones

¡Abrir las conexiones de presión sólo en estado sin presión!



Advertencia



Advertencia

- ¡Tome medidas de precaución en cuanto a residuos de medios de medición en transmisores de presión desmontados. Medios residuales pueden causar daños en personas, medio ambiente y equipo!
- Ponga fuera de servicio el instrumento y protéjalo contra la puesta en servicio por error, si no puede eliminar perturbaciones.
- Sólo el fabricante es autorizado para efectuar reparaciones.



Para no dañar las membranas de la conexión de presión, no utilizar para la limpieza objetos puntiagudos ni duros.

Compruebe previamente si hay presión (válvulas/llave esférica, etc. abiertas), y si ha elegido la fuente de tensión correcta y el tipo de cableado correspondiente (2 hilos/3 hilos).

Avería	Posible causa	Medida
Sin señal de salida	Ruptura de línea Sin o falsa tensión de alimentación o golpe de corriente	Comprobar continuidad Corregir tensión de alimentación según instrucciones de servicio *)
Sin o falsa señal de salida	Error de cableado (p. ej. sistema a 2 hilos cableado en 3 hilos)	Observar empleo de los conductores (ver placa indicad. de tipo / instrucciones de uso)
Señal de salida constante en caso de cambio de presión	Falsa tensión de alimentación o golpe de corriente	Cambiar el instrumento
Señal de salida distinta	Desplazamiento del cero por dinámica de presión	Recalibrar del cero
Alcance de la señal demasiado alta	Crestas de presión máximas / Cavitaciones	Utilizar un aparato con protección de cavitación y puntas de presión
Alcance de la señal demasiado pequeño	Tensión de alimentación demasiado alta/baja	Corregir tensión de alimentación según instrucciones de uso
Alcance de la señal inconstante	Fuentes de interferencias perturbaciones electromagnéticas en la proximidad, p. ej. convertidor de frecuencias	Blindar aparato; blindaje de línea; eliminar fuente de interferencias
	Presión del medio de proceso muy inestable	Atenuación; consultar con el fabricante

Avería	Posible causa	Medida
Alcance de la señal inconstante	Instrumento no puesto a tierra	Poner instrumento a tierra
Fugas en conexión de presión	Hendiduras en canal de presión	consultar con el fabricante (eventualmente reparar); Cambiar el instrumento

En caso de reclamación sin justificación alguna, tendrá que abonar los costes de tramitación de la reclamación.

\*) Tras el ajuste/el montaje, compruebe el funcionamiento correcto del sistema. Si el error persiste, envíe el aparato a reparar (o reemplácelo).

Si el problema perdura, póngase en contacto con nuestro departamento de venta.

**Certificado de process material** (declaración de contaminación en caso de asistencia técnica)

Fregue / limpie los instrumentos desmontados antes de la devolución a la fábrica, con el fin de proteger a nuestros empleados y al medio ambiente de los peligros ocasionado por los residuos de medios de medición adheridos. Una revisión de instrumentos con avería sólo se puede efectuar seguramente, si se ha presentado una declaración de contaminación completamente llenada. Tal declaración contiene informaciones sobre todos materiales en contacto con el instrumento hasta los que se utilizaban por fines de prueba, funcionamiento o limpieza. La declaración de contaminación es disponible a través de nuestra página web ([www.wika.de](http://www.wika.de) / [www.wika.com](http://www.wika.com)).

## 11. Almacenaje, eliminación de desechos



Al almacenar los instrumentos o eliminar los desechos tome medidas de precaución en cuanto a residuos de medios de medición en transmisores de presión desmontados. Recomendamos que la limpieza se realice de forma adecuada y cuidadosa.

Medios residuales pueden causar daños en personas, medio ambiente y equipo.

### Almacenaje



Al almacenaje del transmisor de presión hay que montar el capuchón de protección para no deteriorar el cono de junta.

### Eliminación de los desechos



Elimine los desechos de componentes de instrumentos y materiales de embalaje según el reglamento respectivo del tratamiento de residuos y eliminación de desechos de la región o del país donde el instrumento se ha suministrado.

WIKA se reserva el derecho de modificar las especificaciones detalladas.