

Bourdon tube pressure gauge Model 111.14, for tyre pressure apparatus

WIKA data sheet PM 01.21



for further approvals
see page 3

Applications

- For use in tyre inflation systems for monitoring the tyre pressure when inflating the tyres of motor vehicles
- Filling stations, garages, service stations

Special features

- Designs per EN 12645
- EEC type approval
- Scale ranges 0 ... 4 bar, 0 ... 10 bar and 0 ... 12 bar



Bourdon tube pressure gauge, model 111.14, for tyre pressure apparatus

Description

Nominal size in mm

63 and 80

Indication accuracy

$p_m \leq 4$ bar: ± 0.08 bar

$4 \text{ bar} < p_m \leq 10$ bar: ± 0.16 bar

$p_m > 10$ bar: ± 0.25 bar

(p_m ... measured pressure)

Error limits are met within a temperature range between 15 °C and 25 °C

Scale ranges

0 ... 4 bar

0 ... 10 bar

0 ... 12 bar (only NS 80)

Pressure limitation

Steady: $3/4$ x full scale value

Fluctuating: $2/3$ x full scale value

Short time: Full scale value

Permissible temperature

Ambient: -20 ... +60 °C

Medium: +40 °C maximum

Storage: -40 ... +70 °C

Temperature effect

When the temperature of the measuring system deviates from the reference temperature range (-10 ... +40 °C):

$p_m \leq 4$ bar: 0.1 % of 4 bar

$4 \text{ bar} < p_m \leq 10$ bar: 0.05 % of 10 bar

$p_m > 10$ bar: 0.05 % of the full scale value
(p_m ... measured pressure)

Ingress protection

IP 44 per EN 60529 / IEC 60529

Standard version

Process connection

Copper alloy
G 1/4 B (male), 14 mm flats
Lower mount (LM) or centre back mount (CBM) (NS 80 only
centre back mount)

Pressure element

Copper alloy, C-type

Movement

Copper alloy

Dial

White, black lettering, without pointer stop pin,
scale graduation 0.1 bar
NS 63: Plastic
NS 80: Aluminium

Pointer

Knife edge pointer, aluminium, black

Case

Plastic, black

Window

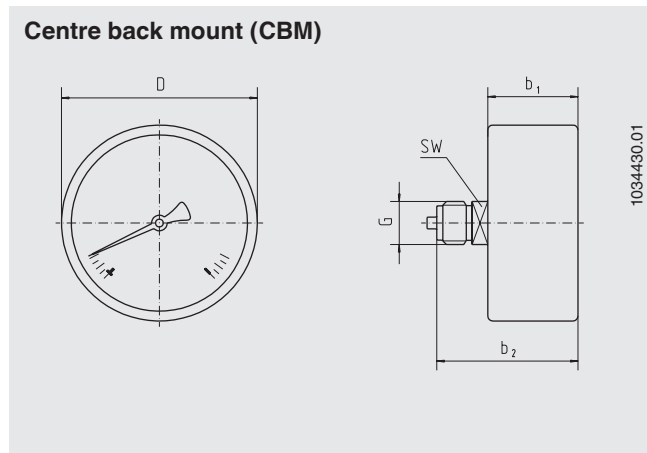
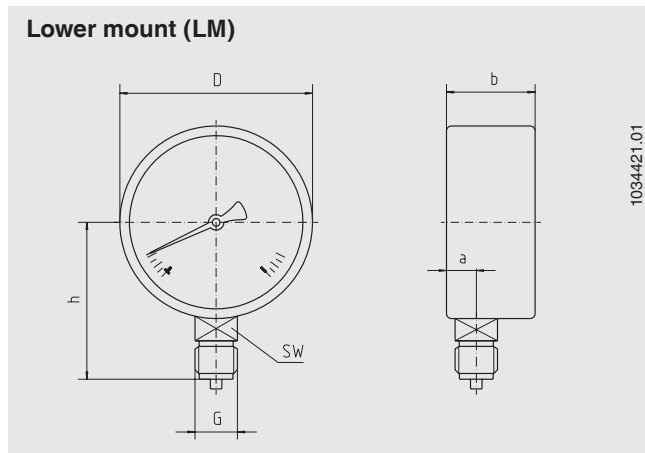
Clear non-splintering plastic, welded to the case

Options

- Other process connection
- Sealings (model 910.17, see data sheet AC 09.08)
- Metal case screw-fitted to slip-on bezel and leaded

Dimensions in mm

Standard version



NS	Dimensions in mm					Weight in kg			
	a	b	$b_1 \pm 0.5$	$b_2 \pm 1$	D	G	$h \pm 1$	SW	
63	10	27.5	27.5	48	62	G 1/4 B	53.5	14	0.08
80	-	-	32	49	79	G 1/4 B	-	14	0.11

Process connection per EN 837-1 / 7.3

Approvals

- EEC, type approval
- GOST, metrology/measurement technology, Russia
- GOST-R, import certificate, Russia
- CRN, safety (e.g. electr. safety, overpressure, ...), Canada

Certificates ¹⁾

- 2.2 test report per EN 10204 (e.g. state-of-the-art manufacturing, material proof, indication accuracy)
- 3.1 inspection certificate per EN 10204 (e.g. indication accuracy)

1) Option

Approvals and certificates, see website

Ordering information

Model / Nominal size / Scale range / Connection size / Options

© 2010 WIKA Alexander Wiegand SE & Co. KG, all rights reserved.
The specifications given in this document represent the state of engineering at the time of publishing.
We reserve the right to make modifications to the specifications and materials.

