

Operating instructions
Betriebsanleitung
Mode d'emploi
Manual de instrucciones

Bourdon tube pressure gauge, model PG23HP

EN

Rohrfedermanometer, Typ PG23HP

DE

Manomètre à tube manométrique, type PG23HP

FR

Manómetro de Bourdon, modelo PG23HP

ES

CE



Model PG23HP-P



Model PG23HP-S

WIKAL

Part of your business

| | | |
|-----------|-----------------------------------------------|-----------------------|
| EN | Operating instructions, model PG23HP | Page 3 - 24 |
| DE | Betriebsanleitung, Typ PG23HP | Seite 25 - 46 |
| FR | Mode d'emploi, type PG23HP | Page 47 - 68 |
| ES | Manual de instrucciones, modelo PG23HP | Página 69 - 90 |

© 10/2017 WIKA Alexander Wiegand SE & Co. KG
All rights reserved. / Alle Rechte vorbehalten.
WIKA® is a registered trademark in various countries.
WIKA® ist eine geschützte Marke in verschiedenen Ländern.

Prior to starting any work, read the operating instructions!
Keep for later use!

Vor Beginn aller Arbeiten Betriebsanleitung lesen!
Zum späteren Gebrauch aufbewahren!

Lire le mode d'emploi avant de commencer toute opération !
A conserver pour une utilisation ultérieure !

¡Leer el manual de instrucciones antes de comenzar cualquier trabajo!
¡Guardar el manual para una eventual consulta!

Contents

| | |
|--------------------------------------------|-----------|
| 1. General information | 4 |
| 2. Design and function | 5 |
| 3. Safety | 6 |
| 4. Transport, packaging and storage | 11 |
| 5. Commissioning, operation | 12 |
| 6. Faults | 16 |
| 7. Maintenance and cleaning | 18 |
| 8. Dismounting, return and disposal | 20 |
| 9. Specifications | 22 |
| Annex: EU declaration of conformity | 24 |

Declarations of conformity can be found online at www.wika.com.

1. General information

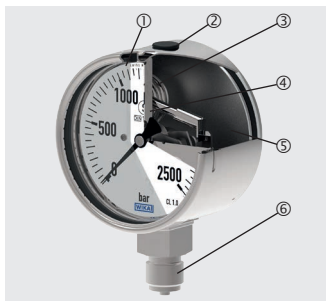
EN

- The instrument described in the operating instructions has been designed and manufactured using state-of-the-art technology. All components are subject to stringent quality and environmental criteria during production. Our management systems are certified to ISO 9001 and ISO 14001.
- These operating instructions contain important information on handling the instrument. Working safely requires that all safety instructions and work instructions are observed.
- Observe the relevant local accident prevention regulations and general safety regulations for the instrument's range of use.
- The operating instructions are part of the product and must be kept in the immediate vicinity of the instrument and readily accessible to skilled personnel at any time. Pass the operating instructions on to the next operator or owner of the instrument.
- Skilled personnel must have carefully read and understood the operating instructions prior to beginning any work.
- The general terms and conditions contained in the sales documentation shall apply.
- Subject to technical modifications.
- Further information:
 - Internet address: www.wika.de / www.wika.com
 - Relevant data sheet: PM 02.28, PM 02.29

2. Design and function

2.1 Overview

- ① Laminated safety glass
- ② Filling plug
- ③ Pressure element
- ④ Solid baffle wall
- ⑤ Blow-out back
- ⑥ Process connection



2.2 Description

The model PG23HP pressure gauge has been designed specifically for highest pressure applications > 1,600 bar. Typical measuring points for this pressure gauge can be found in water jet cutting, high-pressure cleaning and test bench construction.

WIKA manufactures and qualifies the instrument in accordance with the requirements of the DIN 16001 high-pressure standard in the "S3" safety version. The safety version is made up of laminated safety glass, a solid baffle wall between measuring system and dial and a blow-out back. In the event of a failure, the operator is protected at the front side, as media or components can only be ejected via the back of the case.

2.3 Scope of delivery

Cross-check scope of delivery with delivery note.

EN

3. Safety

3.1 Explanation of symbols



WARNING!

... indicates a potentially dangerous situation that can result in serious injury or death, if not avoided.



CAUTION!

... indicates a potentially dangerous situation that can result in light injuries or damage to property or the environment, if not avoided.



Information

... points out useful tips, recommendations and information for efficient and trouble-free operation.

3.2 Intended use

The model PG23HP pressure gauges are used for the pressure measurement of liquid media in highest pressure industrial applications in internal and external areas. The media of the application should neither be highly viscous nor crystallising.

Classification per European pressure equipment directive

- Instrument type: Pressure accessory without safety function
- Media: Liquid, group 1 (dangerous)
- Maximum permissible pressure PS: Full scale value, see chapter 3.6 “Labelling / safety marks”
- Volume: < 0.1 l

The instrument must only be used with media which are not harmful to the wetted parts over the entire operating range of the instrument. Any change in the state of the matter or any decomposition of unstable media is not permitted.

Only use the instrument in applications that lie within its technical performance limits (e.g. max. ambient temperature, material compatibility, ...).

→ For performance limits see chapter 9 “Specifications”.

This instrument is not permitted to be used in hazardous areas!

The instrument has been designed and built solely for the intended use described here, and may only be used accordingly.

The technical specifications contained in these operating instructions must be observed. Improper handling or operation of the instrument outside of its technical specifications requires the instrument to be taken out of service immediately and inspected by an authorised WIKA service engineer.

The manufacturer shall not be liable for claims of any type based on operation contrary to the intended use.

3.3 Improper use

EN



WARNING!

Injuries through improper use

Improper use of the instrument can lead to hazardous situations and injuries.

- ▶ Refrain from unauthorised modifications to the instrument.
- ▶ Do not use the instrument within hazardous areas.
- ▶ The instrument should not be used for abrasive, corrosive and highly viscous media.

Any use beyond or different to the intended use is considered as improper use.

3.4 Responsibility of the operator

The instrument is used in the industrial sector. The operator is therefore responsible for legal obligations regarding safety at work.

The safety instructions within these operating instructions, as well as the safety, accident prevention and environmental protection regulations for the application area must be maintained.

The instrument must only be used with media which are not harmful to the wetted parts over the entire operating range of the instrument.

The operator is obliged to maintain the product label in a legible condition.

To ensure safe working on the instrument, the operating company must ensure

- that suitable first-aid equipment is available and aid is provided whenever required.

- that the operating personnel are regularly instructed in all topics regarding work safety, first aid and environmental protection and know the operating instructions and in particular, the safety instructions contained therein.
- that the instrument is suitable for the particular application in accordance with its intended use.

3.5 Personnel qualification



WARNING!

Risk of injury should qualification be insufficient

Improper handling can result in considerable injury and damage to equipment.

- ▶ The activities described in these operating instructions may only be carried out by skilled personnel who have the qualifications described below.

Skilled personnel

Skilled personnel, authorised by the operator, are understood to be personnel who, based on their technical training, knowledge of measurement and control technology and on their experience and knowledge of country-specific regulations, current standards and directives, are capable of carrying out the work described and independently recognising potential hazards.

3.6 Personal protective equipment

The personal protective equipment is designed to protect the skilled personnel from hazards that could impair their safety or health during work. When carrying out the various tasks on and with the instrument, the skilled personnel must wear personal protective equipment.

3. Safety

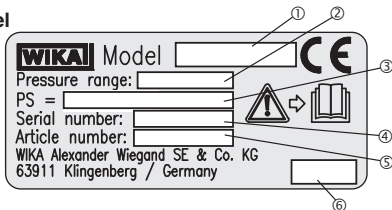
Follow the instructions displayed in the work area regarding personal protective equipment!

EN

The requisite personal protective equipment must be provided by the operating company.

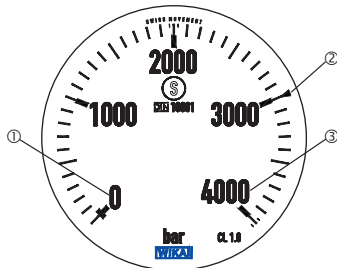
3.6 Labelling / safety marks

Product label



- | | |
|-----------------------------------|-----------------------|
| ① Model | ④ Serial number |
| ② Scale range | ⑤ Article number |
| ③ Maximum permissible pressure PS | ⑥ Date of manufacture |

Dial (example)



- ① Lower scale value
- ② Identifying mark for steady load capacity (max. $\frac{3}{4}$ x full scale value)
- ③ Full scale value (only short-time loading permitted)



Before mounting and commissioning the instrument, ensure you read the operating instructions!



The instrument bearing this mark is a safety pressure gauge with a solid baffle wall in accordance with DIN 16001.

4. Transport, packaging and storage

4.1 Transport

Check the instrument for any damage that may have been caused by transport.

Obvious damage must be reported immediately.



CAUTION!

Damage through improper transport

With improper transport, a high level of damage to property can occur.

- ▶ When unloading packed goods upon delivery as well as during internal transport, proceed carefully and observe the symbols on the packaging.
- ▶ With internal transport, observe the instructions in chapter 5.2 "Packaging and storage".

Packaging and storage

Do not remove packaging until just before mounting.

Keep the packaging as it will provide optimum protection during transport (e.g. change in installation site, sending for repair).

Permissible conditions at the place of storage:

Storage temperature: -40 ... +70 °C

Avoid the following influence:

Mechanical vibration, mechanical shock (putting it down hard)

5. Commissioning, operation

Before installation, commissioning and operation, ensure that the appropriate instrument has been selected in terms of scale range, design and specific measuring conditions.

Personnel: Skilled personnel



WARNING!

Physical injuries and damage to property and the environment caused by hazardous media

Upon contact with hazardous media (e.g. with flammable or toxic substances), harmful media (e.g. corrosive, toxic, carcinogenic, radioactive), and also with refrigeration plants and compressors, there is a danger of physical injuries and damage to property and the environment.

Should a failure occur, aggressive media with extremely high temperature and under high pressure may be present at the instrument.

- ▶ For these media, in addition to all standard regulations, the appropriate existing codes or regulations must also be followed.
- ▶ Wear the requisite protective equipment (see chapter 3.6 “Personal protective equipment”).



WARNING!

Physical injuries and damage to property and the environment caused by media escaping under high pressure

With the pressurisation of the instrument, as a result of poor sealing of the process connection, media under high pressure can escape.

Due to the high energy of the media that can escape in the event of a failure, the possibility of physical injuries and damage to property exists.

- ▶ The sealing of the process connection must be carried out expertly and checked for leak tightness.

5. Commissioning, operation

5.1 Requirements for the installation point

- If the line to the measuring instrument is not adequately stable, an instrument mounting bracket should be used for fastening.
- If vibrations cannot be avoided by means of suitable installation, instruments with case filling should be used.
- For outdoor applications, the selected installation location has to be suitable for the specified ingress protection, so that the instrument is not exposed to impermissible weather conditions.
- In order to avoid any additional heating, the instruments must not be exposed to direct solar irradiation while in operation!
- To ensure that the pressure can be safely vented in the case of failure, for the correct function of the blow-out back, a minimum distance of 20 mm from any object must be maintained.



WARNING!

Physical injuries and damage to property and the environment caused by the back blowing out in the event of a failure

Due to the high energy in the back, if it is blown out in the event of a failure, there is a risk of physical injuries or damage to property through the ejected back and the media that would then escape.

- ▶ It must be ensured that at no time can personnel or objects be at the rear of the instrument.

5.2 Mounting

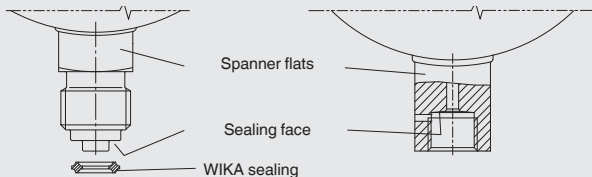
- After unpacking the instrument, a visual inspection for damage (e. g. pointer, threads, sealing face, pressure port) must be carried out.
- Depending on the application, the instrument should be filled with the medium before screwing in, in order to ensure it functions properly.

5. Commissioning, operation

EN

- Mounting is only permitted in the depressurised state. Reliably depressurise the instrument using the available valves and protective devices (e.g. shut-off valve, monoflange).
- Nominal position per EN 837-3 / 9.6.6 figure 7: 90° (\perp). Tolerance: $\pm 5^\circ$
- With parallel male threads (e.g. G $\frac{1}{2}$ B) WIKA sealings must be used
- With tapered female threads (e.g. 9/16-18 UNF) the process connection seals metallicly without additional sealing.
- When screwing the instruments in, the force required for sealing must not be applied through the case, but only through the spanner flats provided for this purpose, and using a suitable tool.
- The tightening torque is dependent on the selected process connection.

Sealing of the process connections



Installation with open-ended spanner



5.3 Commissioning, operation

- Check the sealing at the process connection over the entire scale range before commissioning.
- Pressure surges must be avoided at all costs, open the shut-off valves slowly.
- The instrument must not be subjected to any external loading (e.g. use as a climbing aid, support for objects).

EN

6. Faults

Personnel: Skilled personnel



CAUTION!

Physical injuries and damage to property and the environment

If faults cannot be eliminated by means of the listed measures, the instrument must be taken out of operation immediately.

- ▶ Ensure that there is no longer any pressure present and protect against being put into operation accidentally.
- ▶ Contact the manufacturer.
- ▶ If a return is needed, please follow the instructions given in chapter 8.2 "Return".



For contact details see chapter 1 "General information" or the back page of the operating instructions.

6. Faults

EN

| Faults | Causes | Measures |
|------------------------------------------------------------------------------------------------------|--------------------------------------------------------------------|---------------------------------------------------------------------------------------------|
| No pointer movement despite change in pressure. | Movement blocked. | Replace instrument. |
| | Pressure element defective. | |
| | Pressure port blocked. | |
| After depressurisation, the pointer remains just above the zero point. | Friction in the movement. | Tap lightly on the case. |
| | Instrument was overloaded. | Replace instrument. |
| | Material fatigue of the pressure element. | |
| The pointer remains outside the zero point tolerance after installation and depressurisation. | Mounting error: Instrument not mounted in nominal position | Check the mounting position |
| | Transport damage (e.g. non-permissible shock loading) | Replace instrument. |
| Instrument outside the accuracy class. | Instrument was operated outside of permissible performance limits. | Check the observance of the operating parameters of the application. Replace instrument. |
| Vibration of the pointer. | Vibrations in the application. | Use instrument with case filling. |
| Mechanical damage (e.g. window, case). | Improper handling. | Replace instrument. |

For the exchange of the instrument chapters 8 “Dismounting, return and disposal” and 5 “Commissioning, operation” must be observed.

7. Maintenance and cleaning

EN

Personnel: Skilled personnel

7.1 Maintenance

- The instruments are maintenance-free.
- The indicator should be checked once or twice every year. For this the instrument must be disconnected from the process to check with a pressure testing device.
- Repairs should only be carried out by the manufacturer or, following prior consultation with the manufacturer, by correspondingly qualified skilled personnel.
- Following any exceeding of the requirements in accordance with DIN 16001, the instrument function must be checked.

7.2 Cleaning



CAUTION!

Physical injuries and damage to property and the environment

Improper cleaning may lead to physical injuries and damage to property and the environment. Residual media in the dismantled instrument can result in a risk to persons, the environment and equipment.

- ▶ Carry out the cleaning process as described below.

1. Before cleaning, correctly disconnect the instrument from the pressure supply.
2. Use the requisite protective equipment.
3. Clean the instrument with a moist cloth.

7. Maintenance and cleaning



CAUTION!

Damage to the instrument

Improper cleaning may lead to damage to the instrument!

- ▶ Do not use any aggressive cleaning agents.
- ▶ Do not use any hard or pointed objects for cleaning.

EN

4. Wash or clean the dismantled instrument, in order to protect persons and the environment from exposure to residual media.



A 100 % residue-free cleaning is not possible, on account of the design.

8. Dismounting, return and disposal

EN



WARNING!

Physical injuries and damage to property and the environment through residual media

Residual media in the dismantled instrument can result in a risk to persons, the environment and equipment.

Carry out the cleaning process as described below.

- ▶ Wear the requisite protective equipment (see chapter 3.6 “Personal protective equipment”).
- ▶ Observe the information in the material safety data sheet for the corresponding medium.
- ▶ Wash or clean the dismantled instrument, in order to protect persons and the environment from exposure to residual media.

8.1 Dismounting



WARNING!

Physical injuries and damage to property and the environment caused by incorrect interpretation of the pressure display

1. The pointer of a damaged instrument, despite high pressure, can still stand at zero accidentally.
2. As a consequence of the scale graduation of the high-pressure gauges, despite the display values being below the first scale marking, very high pressures can still exist in the instrument. Example: With a scale range of 0 ... 4,000 bar, the first scale marking already has a value of 100 bar.

8. Dismounting, return and disposal

- ▶ Dismounting is only permitted in the depressurised state. Reliably depressurise the instrument using the available valves and protective devices (e.g. shut-off valve, monoflange).

EN

8.2 Return

Strictly observe the following when shipping the instrument:

All instruments delivered to WIKA must be free from any kind of hazardous substances (acids, bases, solutions, etc.) and must therefore be cleaned before being returned.

When returning the instrument, use the original packaging or a suitable transport packaging.

8.3 Disposal

Incorrect disposal can put the environment at risk.

9. Specifications

9. Specifications

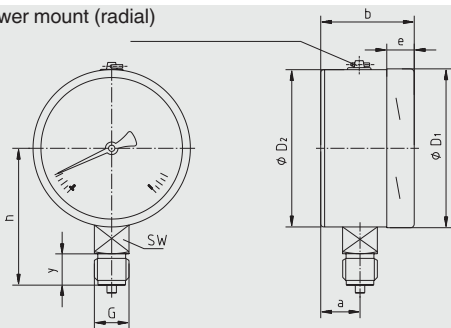
EN

Specifications

| | |
|---------------------------------|-----------------------------------------------------------------------------------------------------------------------------------------------|
| Nominal size in mm | 100, 160 |
| Material of wetted parts | NiCr-alloy, stainless steel 316L |
| Pressure limitation | |
| Steady | 3/4 x full scale value |
| Fluctuating | 2/3 x full scale value |
| Short time | Full scale value |
| Permissible temperatures | |
| Ambient temperature | -40 ... +60 °C |
| Medium temperature | +200 °C with unfilled instruments +100 °C with filled instruments |
| Storage temperature | -40 +70 °C |
| Temperature effect | When the temperature of the measuring system deviates from the reference temperature (+20 °C): max. $\pm 0.4 \%$ /10 K of full scale value |
| Weight | NS 100, filled: 1.08 kg NS 100, unfilled: 0.65 kg NS 160, filled: 2.34 kg NS 160, unfilled: 1.30 kg |

9. Specifications

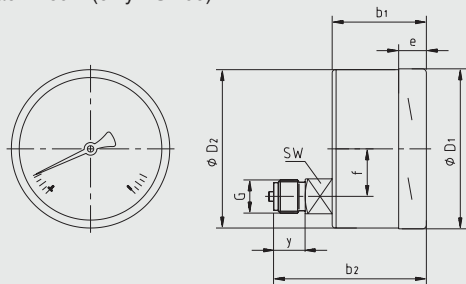
Lower mount (radial)



1034568.02y

EN

Lower back mount (only NS 100)



1034596.02y

| NS | Dimensions in mm | | | | | | | | | | | |
|-----|------------------|----|----------------|----------------|----------------|----------------|------|----|-------|------|----|----|
| | a | b | b ₁ | b ₂ | D ₁ | D ₂ | e | f | G | h ±1 | y | SW |
| 100 | 25 | 59 | 59.5 | 93 | 101 | 99 | 17 | 30 | G ½ B | 87 | 23 | 22 |
| 160 | 27 | 65 | - | - | 161 | 159 | 17.5 | - | G ½ B | 118 | 23 | 22 |



EU-Konformitätserklärung EU Declaration of Conformity

Dokument Nr.: 14248637.01
Document No.:

Wir erklären in alleiniger Verantwortung, dass die mit CE gekennzeichneten Produkte
We declare under our sole responsibility that the CE marked products

Typenbezeichnung: PG23HP-S / PG23HP-P
Type Designation:

Beschreibung: Rohrfedermanometer für Hochdruckenwendungen
Description: Bourdon tube pressure gauge for high pressure

gemäß gültigem Datenblatt: PM02.28 / PM02.29
according to the valid data sheet:

die wesentlichen Schutzanforderungen der folgenden Richtlinien erfüllen: Harmonisierte Normen:
comply with the essential protection requirements of the directives: Harmonized standards:

2014/68/EU Druckgeräterichtlinie (DGRL) ^{(1) (2)}
Pressure Equipment Directive (PED) ⁽¹⁾⁽²⁾

- (1) PS > 200 bar; Modul A, druckhaltendes Ausrüstungsteil
PS > 200 bar; Module A, pressure accessory
- (2) Modul A, interne Fertigungskontrolle
Module A, internal control of production

Unterzeichnet für und im Namen von / Signed for and on behalf of

WIKAI Alexander Wiegand SE & Co. KG

Klingenberg, 2017-09-29

Thorsten Seefried, Vice President
Process Gauges

Dr. Michael Gombitza, Head of Quality Management
Process Gauges

WIKAI Alexander Wiegand SE & Co. KG
Alexander-Wiegand-Strasse 30
63811 Klingenberg
Germany

Tel. +49 9372 132-0
Fax +49 9372 132-406
E-Mail: info@wika.de
www.wika.de

Kommanditgesellschaft, Sitz Klingenberg –
Amgericht/Ascherberg/HRB 18118
Komplementärin: WIKAI Verwaltungs SE & Co. KG –
Sitz Klingenberg – Amtsgericht Ascherberg/
HRB 4055

Komplementärin:
WIKAI International SE – Sitz Klingenberg –
Amtsgericht Ascherberg/HRB 10505
Vorstand: Alexander Wiegand
Vorsitzender des Aufsichtsrats: Dr. Max Egli

Inhalt

| | |
|-------------------------------------------------|-----------|
| 1. Allgemeines | 26 |
| 2. Aufbau und Funktion | 27 |
| 3. Sicherheit | 28 |
| 4. Transport, Verpackung und Lagerung | 33 |
| 5. Inbetriebnahme, Betrieb | 34 |
| 6. Störungen | 38 |
| 7. Wartung und Reinigung | 40 |
| 8. Demontage, Rücksendung und Entsorgung | 42 |
| 9. Technische Daten | 44 |
| Anlage: EU-Konformitätserklärung | 46 |

Konformitätserklärungen finden Sie online unter www.wika.de.

1. Allgemeines

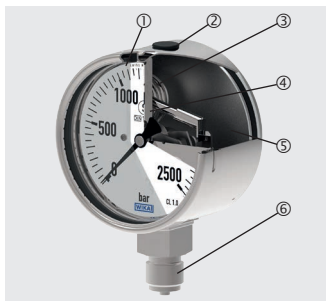
DE

- Das in der Betriebsanleitung beschriebene Gerät wird nach den neuesten Erkenntnissen konstruiert und gefertigt. Alle Komponenten unterliegen während der Fertigung strengen Qualitäts- und Umweltkriterien. Unsere Managementsysteme sind nach ISO 9001 und ISO 14001 zertifiziert.
- Diese Betriebsanleitung gibt wichtige Hinweise zum Umgang mit dem Gerät. Voraussetzung für sicheres Arbeiten ist die Einhaltung aller angegebenen Sicherheitshinweise und Handlungsanweisungen.
- Die für den Einsatzbereich des Gerätes geltenden örtlichen Unfallverhütungsvorschriften und allgemeinen Sicherheitsbestimmungen einhalten.
- Die Betriebsanleitung ist Produktbestandteil und muss in unmittelbarer Nähe des Gerätes für das Fachpersonal jederzeit zugänglich aufbewahrt werden. Betriebsanleitung an nachfolgende Benutzer oder Besitzer des Gerätes weitergeben.
- Das Fachpersonal muss die Betriebsanleitung vor Beginn aller Arbeiten sorgfältig durchgelesen und verstanden haben.
- Es gelten die allgemeinen Geschäftsbedingungen in den Verkaufsunterlagen.
- Technische Änderungen vorbehalten.
- Weitere Informationen:
 - Internet-Adresse: www.wika.de / www.wika.com
 - zugehöriges Datenblatt: PM 02.28, PM 02.29

2. Aufbau und Funktion

2.1 Überblick

- ① Mehrschichten-Sicherheitsglas
- ② Füllstopfen
- ③ Messglied
- ④ Bruchsichere Trennwand
- ⑤ Ausblasbare Rückwand
- ⑥ Prozessanschluss



DE

2.2 Beschreibung

Das Manometer vom Typ PG23HP ist speziell für Höchstdruckanwendungen > 1.600 bar konzipiert. Typische Messstellen für das Manometer befinden sich in den Bereichen Wasserstrahlschneiden, Hochdruckreinigung und im Prüfstandsbauelement.

WIKA fertigt und qualifiziert das Gerät nach den Anforderungen der Hochdrucknorm DIN 16001 in der Sicherheitsausführung „S3“. Die Sicherheitsausführung besteht aus Mehrschichten-Sicherheitsglas, einer bruchsicheren Trennwand zwischen Messsystem und Zifferblatt sowie einer ausblasbaren Rückwand. Im Fehlerfall ist der Bediener an der Frontseite geschützt, da Messstoffe und Bauteile nur über die Rückseite des Gehäuses austreten können.

2.3 Lieferumfang

Lieferumfang mit dem Lieferschein abgleichen.

DE

3. Sicherheit

3.1 Symbolerklärung



WARNUNG!

... weist auf eine möglicherweise gefährliche Situation hin, die zum Tod oder zu schweren Verletzungen führen kann, wenn sie nicht gemieden wird.



VORSICHT!

... weist auf eine möglicherweise gefährliche Situation hin, die zu geringfügigen oder leichten Verletzungen bzw. Sach- und Umweltschäden führen kann, wenn sie nicht gemieden wird.



Information

... hebt nützliche Tipps und Empfehlungen sowie Informationen für einen effizienten und störungsfreien Betrieb hervor.

3.2 Bestimmungsgemäße Verwendung

Die Manometer vom Typ PG23HP dienen zur Druckmessung von flüssigen Messstoffen bei industriellen Höchstdruckanwendungen im Innen- und Außenbereich. Die Messstoffe der Anwendung dürfen weder hochviskos noch kristallisierend sein.

Klassifizierung nach europäischer Druckgeräterichtlinie

- Geräteart: Druckhaltendes Ausrüstungsteil ohne Sicherheitsfunktion
- Messstoffe: Flüssig, Gruppe 1 (gefährlich)
- Maximal zulässiger Druck PS: Skalenendwert, siehe Kapitel 3.6 „Beschilderung / Sicherheitskennzeichnungen“
- Volumen: < 0,1 L

Das Gerät darf nur mit Messstoffen betrieben werden, die im gesamten Einsatzbereich des Gerätes als unbedenklich für die messstoffberührten Bauteile gelten. Eine Änderung des Aggregatzustandes oder die Zersetzung instabiler Messstoffe ist nicht zulässig.

Das Gerät nur in Anwendungen verwenden, die innerhalb seiner technischen Leistungsgrenzen liegen (z. B. max. Umgebungstemperatur, Materialverträglichkeit, ...).

→ Leistungsgrenzen siehe Kapitel 9 „Technische Daten“.

Dieses Gerät ist nicht für den Einsatz in explosionsgefährdeten Bereichen zugelassen!

Das Gerät ist ausschließlich für den hier beschriebenen bestimmungsgemäßen Verwendungszweck konzipiert und konstruiert und darf nur dementsprechend verwendet werden.

Die technischen Spezifikationen in dieser Betriebsanleitung sind einzuhalten. Eine unsachgemäße Handhabung oder ein Betreiben des Gerätes außerhalb der technischen Spezifikationen macht die sofortige Stilllegung und Überprüfung durch einen autorisierten WIKA-Servicearbeiter erforderlich.

Ansprüche jeglicher Art aufgrund von nicht bestimmungsgemäßer Verwendung sind ausgeschlossen.

3.3 Fehlgebrauch



WARNUNG!

Verletzungen durch Fehlgebrauch

Fehlgebrauch des Gerätes kann zu gefährlichen Situationen und Verletzungen führen.

- ▶ Eigenmächtige Umbauten am Gerät unterlassen.
- ▶ Gerät nicht in explosionsgefährdeten Bereichen einsetzen.
- ▶ Gerät nicht für abrasive, korrosive und hochviskose Messstoffe verwenden.

Jede über die bestimmungsgemäße Verwendung hinausgehende oder andersartige Benutzung gilt als Fehlgebrauch.

3.4 Verantwortung des Betreibers

Das Gerät wird im gewerblichen Bereich eingesetzt. Der Betreiber unterliegt daher den gesetzlichen Pflichten zur Arbeitssicherheit.

Die Sicherheitshinweise dieser Betriebsanleitung, sowie die für den Einsatzbereich des Gerätes gültigen Sicherheits-, Unfallverhütungs- und Umweltschutzvorschriften einhalten.

Das Gerät darf nur mit Messstoffen betrieben werden, die im gesamten Einsatzbereich des Gerätes als unbedenklich für die messstoffberührten Bauteile gelten.

Der Betreiber ist verpflichtet das Typenschild lesbar zu halten.

Für ein sicheres Arbeiten am Gerät muss der Betreiber sicherstellen,

- dass eine entsprechende Erste-Hilfe-Ausrüstung vorhanden ist und bei Bedarf jederzeit Hilfe zur Stelle ist.

- dass das Bedienpersonal regelmäßig in allen zutreffenden Fragen von Arbeitssicherheit, Erste Hilfe und Umweltschutz unterwiesen wird, sowie die Betriebsanleitung und insbesondere die darin enthaltenen Sicherheitshinweise kennt.
- dass das Gerät gemäß der bestimmungsgemäßen Verwendung für den Anwendungsfall geeignet ist.

3.5 Personalqualifikation



WARNUNG!

Verletzungsgefahr bei unzureichender Qualifikation

Unsachgemäßer Umgang kann zu erheblichen Personen- und Sachschäden führen.

- ▶ Die in dieser Betriebsanleitung beschriebenen Tätigkeiten nur durch Fachpersonal nachfolgend beschriebener Qualifikation durchführen lassen.

Fachpersonal

Das vom Betreiber autorisierte Fachpersonal ist aufgrund seiner fachlichen Ausbildung, seiner Kenntnisse der Mess- und Regelungstechnik und seiner Erfahrungen sowie Kenntnis der landesspezifischen Vorschriften, geltenden Normen und Richtlinien in der Lage, die beschriebenen Arbeiten auszuführen und mögliche Gefahren selbstständig zu erkennen.

3.6 Persönliche Schutzausrüstung

Die persönliche Schutzausrüstung dient dazu, das Fachpersonal gegen Gefahren zu schützen, die dessen Sicherheit oder Gesundheit bei der Arbeit beeinträchtigen könnten. Beim Ausführen der verschiedenen Arbeiten an und mit dem Gerät muss das Fachpersonal persönliche Schutzausrüstung tragen.

3. Sicherheit

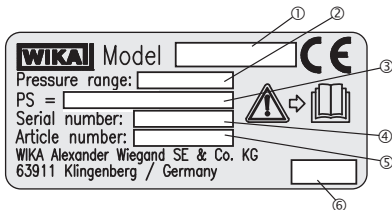
Im Arbeitsbereich angebrachte Hinweise zur persönlichen Schutzausrüstung befolgen!

Die erforderliche persönliche Schutzausrüstung muss vom Betreiber zur Verfügung gestellt werden.

DE

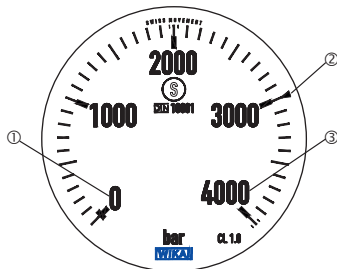
3.6 Beschilderung / Sicherheitskennzeichnungen

Typenschild



- | | |
|-------------------------------|---------------------|
| ① Typ | ④ Seriennummer |
| ② Anzeigebereich | ⑤ Artikelnummer |
| ③ Maximal zulässiger Druck PS | ⑥ Herstellungsdatum |

Zifferblatt (Beispiel)



DE

- ① Skalenanfangswert
- ② Begrenzungsmerkmale Ruhebelastbarkeit (max. $\frac{3}{4}$ x Skalenendwert)
- ③ Skalenendwert (nur kurzzeitige Belastung zulässig)



Vor Montage und Inbetriebnahme des Gerätes unbedingt die Betriebsanleitung lesen!



Das Gerät mit dieser Kennzeichnung ist ein Sicherheitsdruckmessgerät mit bruchsicherer Trennwand nach DIN 16001.

4. Transport, Verpackung und Lagerung

4.1 Transport

Gerät auf eventuell vorhandene Transportschäden untersuchen.
Offensichtliche Schäden unverzüglich mitteilen.



VORSICHT!

Beschädigungen durch unsachgemäßen Transport

Bei unsachgemäßem Transport können Sachschäden in erheblicher Höhe entstehen.

- ▶ Beim Abladen der Packstücke bei Anlieferung sowie innerbetrieblichem Transport vorsichtig vorgehen und die Symbole auf der Verpackung beachten.
- ▶ Bei innerbetrieblichem Transport die Hinweise unter Kapitel 5.2 „Verpackung und Lagerung“ beachten.

Verpackung und Lagerung

Verpackung erst unmittelbar vor der Montage entfernen.

Die Verpackung aufbewahren, denn diese bietet bei einem Transport einen optimalen Schutz (z. B. wechselnder Einbauort, Reparatursendung).

Zulässige Bedingungen am Lagerort:

Lagertemperatur: -40 ... +70 °C

Folgenden Einfluss vermeiden:

Mechanische Vibration, mechanischer Schock (hartes Aufstellen)

5. Inbetriebnahme, Betrieb

Vor Montage, Inbetriebnahme und Betrieb sicherstellen, dass das richtige Gerät hinsichtlich Anzeigebereich, Ausführung und spezifischen Messbedingungen ausgewählt wurde.

Personal: Fachpersonal



WARNUNG!

Körperverletzungen, Sach- und Umweltschäden durch gefährliche Messstoffe

Bei Kontakt mit gefährlichen Messstoffen (z. B. bei brennbaren oder giftigen Stoffen), gesundheitsgefährdenden Messstoffen (z. B. ätzend, giftig, krebserregend, radioaktiv) besteht die Gefahr von Körperverletzungen, Sach- und Umweltschäden.

Am Gerät können im Fehlerfall aggressive Messstoffe mit extremer Temperatur und unter hohem Druck anliegen.

- ▶ Bei diesen Messstoffen müssen über die gesamten allgemeinen Regeln hinaus die einschlägigen Vorschriften beachtet werden.
- ▶ Notwendige Schutzausrüstung tragen (siehe Kapitel 3.6 „Persönliche Schutzausrüstung“).



WARNUNG!

Körperverletzungen, Sach- und Umweltschäden durch unter hohem Druck austretende Messstoffe

Bei der Druckbeaufschlagung des Gerätes kann aufgrund schlechter Abdichtung des Prozessanschlusses Messstoff unter hohem Druck entweichen.

Durch die hohe Energie des im Fehlerfall austretenden Messstoffes besteht die Gefahr von Körperverletzungen und Sachschäden.

- ▶ Die Abdichtung des Prozessanschlusses muss fachgerecht ausgeführt und auf Dichtheit überprüft werden.

5.1 Anforderungen an die Einbaustelle

- Ist die Leitung zum Messgerät für eine erschütterungsfreie Anbringung nicht stabil genug, sollte die Befestigung mittels Messgerätehalterung erfolgen.
- Können Erschütterungen nicht durch geeignete Installationen vermieden werden, dann sollten Geräte mit Gehäusefüllung eingesetzt werden.
- Bei Anwendungen im Freien ist ein für die angegebene Schutzart geeigneter Aufstellort zu wählen, damit das Gerät keinen unzulässigen Witterungseinflüssen ausgesetzt ist.
- Um zusätzliche Aufheizung zu vermeiden, dürfen die Geräte im Betrieb keiner direkten Sonneneinstrahlung ausgesetzt werden!
- Für eine sichere Druckentlastung im Fehlerfall muss zur einwandfreien Funktion der ausblasbaren Rückwand ein Abstand von mindestens 20 mm zu jedem Gegenstand eingehalten werden.



WARNUNG!

Körperverletzungen, Sach- und Umweltschäden durch im Fehlerfall ausgeblasene Rückwand

Durch die hohe Energie der im Fehlerfall ausgeblasenen Rückwand besteht die Gefahr von Körperverletzungen oder Sachschäden durch die herausgeschleuderte Rückwand und danach austretenden Messstoff.

- ▶ Es ist dafür zu sorgen, dass sich zu keinem Zeitpunkt Personen oder Gegenstände an der Geräterückseite befinden können.

5.2 Montage

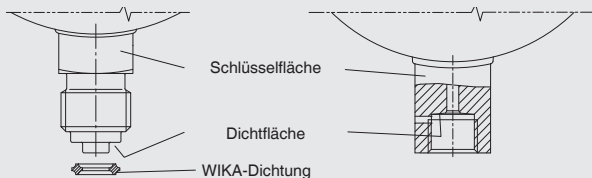
- Nach Auspacken des Gerätes ist eine Sichtprüfung auf Beschädigungen durchzuführen (z. B. Zeiger, Gewinde, Dichtfläche, Druckkanal).
- Je nach Anwendung ist das Gerät vor dem Einschrauben mit dem Messstoff zu befüllen, um eine einwandfreie Funktion sicherzustellen.

5. Inbetriebnahme, Betrieb

DE

- Die Montage ist nur im drucklosen Zustand zulässig. Mit den vorhandenen Ventilen und Schutzvorrichtungen (z. B. Absperrventil, Monoflansch) das Gerät verlässlich drucklos machen.
- Nennlage nach EN 837-3 / 9.6.6 Bild 7: 90° (\perp). Toleranz: $\pm 5^\circ$
- Bei zylindrischen Außengewinden (z. B. G $\frac{1}{2}$ B) sind WIKA-Dichtungen einzusetzen
- Bei konischen Innengewinden (z. B. 9/16-18 UNF) dichtet der Prozessanschluss metallisch ohne zusätzliche Dichtung ab.
- Beim Einschrauben der Geräte darf die zum Abdichten erforderliche Kraft nicht über das Gehäuse aufgebracht werden, sondern mit geeignetem Werkzeug nur über die dafür vorgesehenen Schlüsselflächen.
- Das Anzugsdrehmoment ist abhängig vom gewählten Prozessanschluss.

Abdichtung der Prozessanschlüsse



Montage mit Gabelschlüssel



5.3 Inbetriebnahme, Betrieb

- Die Abdichtung am Prozessanschluss über den gesamten Anzeigebereich vor Inbetriebnahme prüfen.
- Druckstöße unbedingt vermeiden, Absperrventile langsam öffnen.
- Das Gerät darf von außen keinerlei Belastungen ausgesetzt werden (z. B. Nutzung als Steighilfe, Ablage von Gegenständen).

DE

6. Störungen

Personal: Fachpersonal



VORSICHT!

Körperverletzungen, Sach- und Umweltschäden

Können Störungen mit Hilfe der aufgeführten Maßnahmen nicht beseitigt werden, Gerät unverzüglich außer Betrieb setzen.

- ▶ Sicherstellen, dass kein Druck mehr anliegt und gegen versehentliche Inbetriebnahme schützen.
- ▶ Kontakt mit dem Hersteller aufnehmen.
- ▶ Bei notwendiger Rücksendung die Hinweise unter Kapitel 8.2 „Rücksendung“ beachten.



Kontaktdaten siehe Kapitel 1 „Allgemeines“ oder Rückseite der Betriebsanleitung.

6. Störungen

| Störungen | Ursachen | Maßnahmen |
|---------------------------------------------------------------------------------------------|--------------------------------------------------------------|------------------------------------------------------------------------------|
| Keine Zeigerbewegung trotz Druckänderung. | Messwerk blockiert. | Gerät austauschen. |
| | Messglied defekt. | |
| | Druckkanal verstopft. | |
| Zeiger bleibt nach Druckentlastung knapp über dem Nullpunkt stehen. | Reibungen im Messwerk. | Leicht an das Gehäuse klopfen. |
| | Gerät wurde überlastet. | Gerät austauschen. |
| | Materialermüdung des Messgliedes. | |
| Zeiger steht nach Einbau und Druckentlastung außerhalb der Toleranz des Nullpunktes. | Montagefehler: Gerät nicht in Nennlage eingebaut. | Einbaulage prüfen. |
| | Transportschaden (z. B. unzulässige Schockbelastung). | Gerät austauschen. |
| Gerät außerhalb der Genauigkeitsklasse. | Gerät wurde außerhalb zulässiger Leistungsgrenzen betrieben. | Einhaltung der Betriebsparameter der Anwendung prüfen. Gerät austauschen. |
| Vibration des Zeigers. | Vibrationen in der Anwendung. | Gerät mit Gehäusefüllung einsetzen. |
| Mechanische Beschädigungen (z. B. Sichtscheibe, Gehäuse). | Unsachgemäße Handhabung. | Gerät austauschen. |

DE

Für den Austausch des Gerätes die Kapitel 8 „Demontage, Rücksendung und Entsorgung“ und 5 „Inbetriebnahme, Betrieb“ beachten.

7. Wartung und Reinigung

Personal: Fachpersonal

DE

7.1 Wartung

- Die Geräte sind wartungsfrei.
- Eine Überprüfung der Anzeige sollte etwa 1- oder 2-mal pro Jahr erfolgen. Dazu ist das Gerät vom Prozess zu trennen und mit einer Druckprüfvorrichtung zu kontrollieren.
- Reparaturen sind ausschließlich vom Hersteller oder nach Absprache mit dem Hersteller durch entsprechend qualifiziertes Fachpersonal durchzuführen.
- Nach Überschreiten der Anforderungen nach DIN 16001 ist die Gerätefunktion zu überprüfen.

7.2 Reinigung



VORSICHT!

Körperverletzungen, Sach- und Umweltschäden

Eine unsachgemäße Reinigung führt zu Körperverletzungen, Sach- und Umweltschäden. Messstoffreste im ausgebauten Gerät können zur Gefährdung von Personen, Umwelt und Einrichtung führen.

- ▶ Reinigungsvorgang wie folgt beschrieben durchführen.

1. Vor der Reinigung das Gerät ordnungsgemäß von der Druckversorgung trennen.
2. Notwendige Schutzausrüstung verwenden.
3. Das Gerät mit einem feuchten Tuch reinigen.



VORSICHT! **Beschädigung des Gerätes**

Eine unsachgemäße Reinigung führt zur Beschädigung des Gerätes!

- ▶ Keine aggressiven Reinigungsmittel verwenden.
- ▶ Keine harten und spitzen Gegenstände zur Reinigung verwenden.

DE

4. Ausgebautes Gerät spülen bzw. säubern, um Personen und Umwelt vor Gefährdung durch anhaftende Messstoffreste zu schützen.



Eine 100 % rückstandsfreie Reinigung ist bauartbedingt nicht möglich.

8. Demontage, Rücksendung und Entsorgung



WARNUNG!

Körperverletzungen, Sach- und Umweltschäden durch Messstoffreste

Messstoffreste im ausgebauten Gerät können zur Gefährdung von Personen, Umwelt und Einrichtung führen.

Reinigungsvorgang wie folgt beschrieben durchführen.

- ▶ Notwendige Schutzausrüstung tragen (siehe Kapitel 3.6 „Persönliche Schutzausrüstung“).
- ▶ Angaben im Sicherheitsdatenblatt für den entsprechenden Messstoff beachten.
- ▶ Ausgebautes Gerät spülen bzw. säubern, um Personen und Umwelt vor Gefährdung durch anhaftende Messstoffreste zu schützen.

8.1 Demontage



WARNUNG!

Körperverletzungen, Sach- und Umweltschäden durch Fehlinterpretation der Druckanzeige

1. Der Zeiger eines beschädigten Gerätes kann trotz hohem Druck zufällig dennoch auf Null stehen.
2. Die Skalenteilung der Hochdruckmanometer hat zur Folge, dass trotz Anzeigewerten unterhalb des ersten Teilstriches immer noch sehr hohe Drücke am Gerät anstehen können. Beispiel: Bei einem Anzeigebereich von 0 ... 4.000 bar hat der erste Teilstrich bereits den Wert von 100 bar.

8. Demontage, Rücksendung und Entsorgung

- ▶ Die Demontage ist nur im drucklosen Zustand zulässig. Mit den vorhandenen Ventilen und Schutzvorrichtungen (z. B. Absperrventil, Monoflansch) das Gerät verlässlich drucklos machen.

8.2 Rücksendung

Beim Versand des Gerätes unbedingt beachten:

Alle an WIKA gelieferten Geräte müssen frei von Gefahrstoffen (Säuren, Laugen, Lösungen, etc.) sein und sind daher vor der Rücksendung zu reinigen.

Zur Rücksendung des Gerätes die Originalverpackung oder eine geeignete Transportverpackung verwenden.

8.3 Entsorgung

Durch falsche Entsorgung können Gefahren für die Umwelt entstehen.

DE

9. Technische Daten

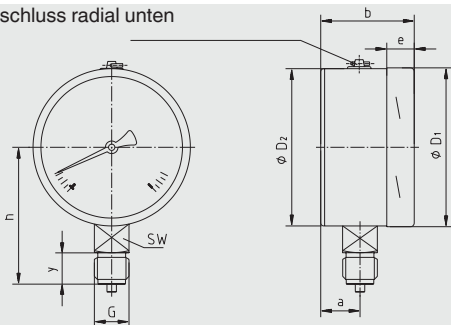
Technische Daten

DE

| | |
|----------------------------------------------|--------------------------------------------------------------------------------------------------------------------------------------------------|
| Nenngröße in mm | 100, 160 |
| Werkstoff messstoff-berührte Bauteile | NiCr-Legierung, CrNi-Stahl 316L |
| Druckbelastbarkeit | |
| Ruhebelastung | 3/4 x Skalenendwert |
| Wechselbelastung | 2/3 x Skalenendwert |
| Kurzzeitig | Skalenendwert |
| Zulässige Temperaturen | |
| Umgebungstemperatur | -40 ... +60 °C |
| Messstofftemperatur | +200 °C bei ungefüllten Geräten +100 °C bei gefüllten Geräten |
| Lagertemperatur | -40 +70 °C |
| Temperatureinfluss | Bei Abweichung von der Referenztemperatur (+20 °C) am Messsystem: max. $\pm 0,4 \%$ /10 K vom jeweiligen Skalenendwert |
| Gewicht | NG 100, gefüllt: 1,08 kg NG 100, ungefüllt: 0,65 kg NG 160, gefüllt: 2,34 kg NG 160, ungefüllt: 1,30 kg |

9. Technische Daten

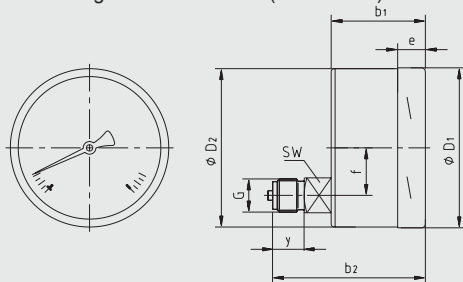
Anschluss radial unten



1034568.02y

DE

Anschluss rückseitig exzentrisch unten (nur NG 100)



1034596.02y

| NG | Maße in mm | | | | | | | | | | | |
|-----|------------|----|----------------|----------------|----------------|----------------|------|----|-------|------|----|----|
| | a | b | b ₁ | b ₂ | D ₁ | D ₂ | e | f | G | h ±1 | y | SW |
| 100 | 25 | 59 | 59,5 | 93 | 101 | 99 | 17 | 30 | G ½ B | 87 | 23 | 22 |
| 160 | 27 | 65 | - | - | 161 | 159 | 17,5 | - | G ½ B | 118 | 23 | 22 |



EU-Konformitätserklärung EU Declaration of Conformity

Dokument Nr.: 14248637.01
Document No.:

Wir erklären in alleiniger Verantwortung, dass die mit CE gekennzeichneten Produkte
We declare under our sole responsibility that the CE marked products

Typenbezeichnung: PG23HP-S / PG23HP-P
Type Designation:

Beschreibung: Rohrfedermanometer für Hochdruckenwendungen
Description: Bourdon tube pressure gauge for high pressure

gemäß gültigem Datenblatt: PM02.28 / PM02.29
according to the valid data sheet:

die wesentlichen Schutzanforderungen der folgenden Richtlinien erfüllen: Harmonisierte Normen:
comply with the essential protection requirements of the directives: Harmonized standards:

2014/68/EU Druckgeräterichtlinie (DGRL) ^{(1) (2)}
Pressure Equipment Directive (PED) ⁽¹⁾⁽²⁾

- (1) PS > 200 bar; Modul A, druckhaltendes Ausrüstungsteil
PS > 200 bar; Module A, pressure accessory
- (2) Modul A, interne Fertigungskontrolle
Module A, internal control of production

Unterszeichnet für und im Namen von / Signed for and on behalf of

WIKAI Alexander Wiegand SE & Co. KG
Klingenberg, 2017-09-29

Thorsten Seefried, Vice President
Process Gauges

Dr. Michael Gombitza, Head of Quality Management
Process Gauges

WIKAI Alexander Wiegand SE & Co. KG
Alexander-Wiegand-Strasse 30
63811 Klingenberg
Germany

Tel. +49 9372 132-0
Fax +49 9372 132-406
E-Mail: info@wikai.de
www.wikai.de

Kommanditgesellschaft, Sitz Klingenberg –
Ammergrün/Aachaffenburg HRB 18118
Kölnregister-Nr.: WKA Verwaltung SE & Co. KG –
Sitz Klingenberg – Ammergrün/Aachaffenburg
HRB 4805.

Komplementär:
WIKAI International SE – Sitz Klingenberg
Ammergrün/Aachaffenburg HRB 18068
Vorstand: Alexander Wiegand
Vorsitzender des Aufsichtsrats: Dr. Max Egli

Sommaire

| | |
|----------------------------------------------|-----------|
| 1. Généralités | 48 |
| 2. Conception et fonction | 49 |
| 3. Sécurité | 50 |
| 4. Transport, emballage et stockage | 55 |
| 5. Mise en service, utilisation | 56 |
| 6. Dysfonctionnements | 60 |
| 7. Entretien et nettoyage | 62 |
| 8. Démontage, retour et mise au rebut | 64 |
| 9. Spécifications | 66 |
| Annexe : Déclaration de conformité UE | 68 |

Déclarations de conformité disponibles sur www.wika.fr.

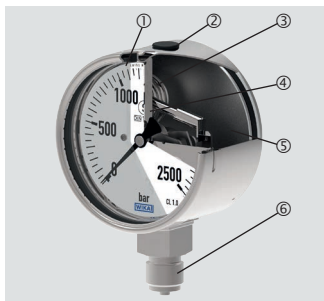
1. Généralités

- L'instrument décrit dans le mode d'emploi est conçu et fabriqué selon les dernières technologies en vigueur. Tous les composants sont soumis à des exigences environnementales et de qualité strictes durant la fabrication. Nos systèmes de gestion sont certifiés selon ISO 9001 et ISO 14001.
- Ce mode d'emploi donne des indications importantes concernant l'utilisation de l'instrument. Il est possible de travailler en toute sécurité avec ce produit en respectant toutes les consignes de sécurité et d'utilisation.
- Respecter les prescriptions locales de prévention contre les accidents et les prescriptions générales de sécurité en vigueur pour le domaine d'application de l'instrument.
- Le mode d'emploi fait partie de l'instrument et doit être conservé à proximité immédiate de l'instrument et accessible à tout moment pour le personnel qualifié. Confier le mode d'emploi à l'utilisateur ou propriétaire ultérieur de l'instrument.
- Le personnel qualifié doit, avant de commencer toute opération, avoir lu soigneusement et compris le mode d'emploi.
- Les conditions générales de vente mentionnées dans les documents de vente s'appliquent.
- Sous réserve de modifications techniques.
- Pour obtenir d'autres informations :
 - Consulter notre site Internet : www.wika.fr
 - Fiche technique correspondante : PM 02.28, PM 02.29

2. Conception et fonction

2.1 Vue générale

- ① Verre de sécurité feuilleté
- ② Bouchon de remplissage
- ③ Élément de mesure
- ④ Cloison de sécurité
- ⑤ Paroi arrière éjectable
- ⑥ Raccord process



FR

2.2 Description

Le manomètre type PG23HP a été conçu spécifiquement pour des applications de très haute pression > 1.600 bar. Les points de mesure typiques pour ce manomètre se trouvent par exemple dans la découpe par jet d'eau, le nettoyage haute pression et la construction de bancs d'essai.

WIKA fabrique et qualifie l'instrument en conformité avec les exigences de la nouvelle norme haute pression DIN 16001 dans l'exécution de sécurité "S3". L'exécution de sécurité est composée d'un verre de sécurité feuilleté, d'une cloison de sécurité entre le système de mesure et le cadran et d'une paroi arrière éjectable. En cas de panne, l'opérateur est protégé sur l'avant, car le fluide ou les composants peuvent seulement être éjectés par l'arrière du boîtier.

2.3 Détail de la livraison

Comparer le détail de la livraison avec le bordereau de livraison.

3. Sécurité

3.1 Explication des symboles

FR



AVERTISSEMENT !

... indique une situation présentant des risques susceptibles de provoquer la mort ou des blessures graves si elle n'est pas évitée.



ATTENTION !

... indique une situation potentiellement dangereuse et susceptible de provoquer de légères blessures ou des dommages pour le matériel et pour l'environnement si elle n'est pas évitée.



Information

... met en exergue les conseils et recommandations utiles de même que les informations permettant d'assurer un fonctionnement efficace et normal.

3.2 Utilisation conforme à l'usage prévu

Les manomètres type PG23HP sont utilisés pour mesurer la pression de fluides liquides dans des applications industrielles de très haute pression à l'intérieur comme à l'extérieur. Le fluide de l'application ne doit pas être hautement visqueux ni cristallisant.

Classification selon la directive européenne relative aux équipements sous pression

- Type d'instrument : accessoire de pression sans fonction de sécurité
- Fluides : liquides, groupe 1 (dangereux)
- Pression maximale admissible PS : valeur pleine échelle, voir chapitre 3.6 "Étiquetage / Marquages de sécurité"
- Volume : < 0,1 l

L'instrument doit seulement être utilisé avec des fluides qui ne sont pas corrosifs pour les parties en contact avec le fluide sur la totalité de la plage de fonctionnement de l'instrument. Tout changement d'état de la matière ou toute décomposition de fluides instables sont interdits. Utiliser l'instrument uniquement dans des applications qui se trouvent dans les limites de ses performances techniques (par exemple température ambiante maximale, compatibilité de matériau, ...).

→ Pour les limites de performance voir chapitre 9 "Spécifications"

Cet instrument n'est pas certifié pour être utilisé en zones explosives !

Ces instruments sont conçus et construits exclusivement pour une utilisation conforme à l'usage prévu décrit ici, et ne doivent être utilisés qu'à cet effet.

Les spécifications techniques mentionnées dans ce mode d'emploi doivent être respectées. En cas d'utilisation non conforme ou de fonctionnement de l'instrument en dehors des spécifications techniques, un arrêt et contrôle doivent être immédiatement effectués par un collaborateur autorisé du service de WIKA.

Aucune réclamation ne peut être recevable en cas d'utilisation non conforme à l'usage prévu.

3.3 Utilisation inappropriée



AVERTISSEMENT !

Blessures causées par une utilisation inappropriée

Une utilisation inappropriée peut conduire à des situations dangereuses et à des blessures.

- ▶ S'abstenir de modifications non autorisées sur l'instrument
- ▶ Ne pas utiliser l'instrument en zone explosive.
- ▶ L'instrument ne doit pas être utilisé pour des fluides abrasifs, corrosifs et hautement visqueux.

Toute utilisation différente ou au-delà de l'utilisation prévue est considérée comme inappropriée.

3.4 Responsabilité de l'opérateur

L'instrument est prévu pour un usage dans le domaine industriel. L'opérateur est de ce fait responsable des obligations légales en matière de sécurité du travail.

Les instructions de sécurité de ce mode d'emploi comme les réglementations liées à la sécurité, à la prévention des accidents et à la protection de l'environnement pour le domaine d'application doivent être respectées.

L'instrument doit seulement être utilisé avec des fluides qui ne sont pas corrosifs pour les parties en contact avec le fluide sur la totalité de la plage de fonctionnement de l'instrument.

L'opérateur doit s'assurer que la plaque signalétique reste lisible.

Afin de travailler en toute sécurité sur l'instrument, la société exploitante doit s'assurer

- qu'un équipement de premier secours adapté est disponible et que les premiers soins peuvent être dispensés sur place à tout moment en cas de besoin.

- que le personnel de service soit formé à intervalles réguliers sur tous les sujets concernant la sécurité du travail, les premiers secours et la protection de l'environnement et qu'il connaît le mode d'emploi et particulièrement les consignes de sécurité contenues dans celui-ci.
- que l'instrument est adapté à l'application en respect de l'usage prévu de l'instrument.

3.5 Qualification du personnel



AVERTISSEMENT !

Danger de blessure en cas de qualification insuffisante

Une utilisation non conforme peut entraîner d'importants dommages corporels et matériels.

- ▶ Les opérations décrites dans ce mode d'emploi ne doivent être effectuées que par un personnel ayant la qualification décrite ci-après.

Personnel qualifié

Le personnel qualifié, autorisé par l'opérateur, est, en raison de sa formation spécialisée, de ses connaissances dans le domaine de l'instrumentation de mesure et de régulation et de son expérience, de même que de sa connaissance des réglementations nationales et des normes en vigueur, en mesure d'effectuer les travaux décrits et d'identifier de façon autonome les dangers potentiels.

3.6 Equipement de protection individuelle

L'équipement de protection individuelle sert à protéger le personnel qualifié contre les dangers pouvant entraver la sécurité et la santé de ce dernier durant le travail. Le personnel qualifié doit porter l'équipement de protection individuelle lors de l'exécution des différents travaux sur et avec l'instrument.

3. Sécurité

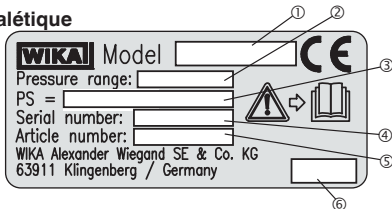
Respecter les indications concernant l'équipement de protection individuelle dans la zone de travail !

L'équipement de protection individuelle requis doit être mis à disposition par l'utilisateur.

3.6 Etiquetage / Marquages de sécurité

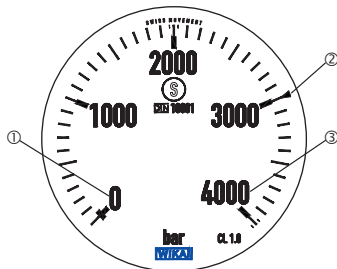
FR

Plaque signalétique



- | | |
|-----------------------------------|-----------------------|
| ① Type | ④ Numéro de série |
| ② Echelle de mesure | ⑤ Numéro d'article |
| ③ Pression maximale admissible PS | ⑥ Date de fabrication |

Cadran (exemple)



- ① Valeur d'échelle inférieure
- ② Marquage d'identification pour la capacité de charge maximale (max. $\frac{3}{4}$ x valeur pleine échelle)
- ③ Valeur pleine échelle (seule une charge de courte durée est autorisée)



Lire impérativement le mode d'emploi avant le montage et la mise en service de l'instrument !



L'instrument qui porte ce marquage est un manomètre de sécurité avec cloison de sécurité en conformité avec DIN 16001.

4. Transport, emballage et stockage

4.1 Transport

Vérifier s'il existe des dégâts sur l'instrument liés au transport. Communiquer immédiatement les dégâts constatés.



ATTENTION !

Dommages liés à un transport inapproprié

Un transport inapproprié peut donner lieu à des dommages importants.

- ▶ Lors du déchargement des colis à la livraison comme lors du transport des colis en interne après réception, il faut procéder avec soin et observer les consignes liées aux symboles figurant sur les emballages.
- ▶ Lors du transport en interne après réception, observer les instructions du chapitre 5.2 "Emballage et stockage".

FR

Emballage et stockage

N'enlever l'emballage qu'avant le montage.

Conserver l'emballage, celui-ci offre, lors d'un transport, une protection optimale (par ex. changement de lieu d'utilisation, renvoi pour réparation).

Conditions admissibles sur le lieu de stockage :

Température de stockage : -40 ... +70 °C

Évitez les influences suivantes :

Vibrations mécaniques, chocs mécaniques (mouvements brusques en le posant)

5. Mise en service, utilisation

Avant l'installation, la mise en service et le fonctionnement, assurez-vous que l'instrument approprié a été choisi en termes d'échelle de mesure, d'exécution et de conditions de mesure spécifiques.

Personnel : personnel qualifié



AVERTISSEMENT !

Blessures physiques et dommages aux équipements et à l'environnement causés par un fluide dangereux

Lors du contact avec un fluide dangereux (par exemple substances inflammables ou toxiques), un fluide nocif (par exemple corrosif, toxique, cancérigène, radioactif), et également avec des installations frigorifiques et des compresseurs, il y a un danger de blessures physiques et de dommages aux équipements et à l'environnement.

En cas d'erreur, des fluides agressifs peuvent être présents à une température extrême et sous une pression élevée au niveau de l'instrument.

- ▶ Pour ces fluides, les codes et directives appropriés existants doivent être observés en plus des régulations standard.
- ▶ Porter les équipements de protection requis (voir chapitre 3.6 "Équipement de protection individuelle").



AVERTISSEMENT !

Blessures physiques et dommages aux équipements et à l'environnement causés par un fluide qui s'échapperait sous haute pression

Avec la pressurisation de l'instrument, si l'étanchéité du raccord process est insuffisante, des fluides sous haute pression peuvent s'échapper.

En raison de la haute énergie du fluide qui pourrait s'échapper en cas de défaillance, il existe un danger de blessures physiques et de dommages au matériel.

- ▶ L'étanchéité du raccord process doit être effectuée par des spécialistes et vérifiée pour voir s'il y a des fuites.

5.1 Exigences relatives au point de montage

- Si la conduite à l'instrument de mesure n'est pas suffisamment stable, il est recommandé de fixer l'instrument au moyen d'une potence de fixation appropriée.
- Si on ne peut éviter des vibrations au moyen d'une installation adéquate, il faut utiliser des instruments avec remplissage de boîtier.
- Pour les applications en extérieur, l'emplacement sélectionné de l'installation doit être adapté à l'indice de protection spécifié, de sorte que l'instrument ne soit pas exposé à des conditions météorologiques inadmissibles.
- Afin d'éviter tout échauffement supplémentaire, les instruments ne doivent pas être exposés directement aux rayons du soleil pendant le fonctionnement !
- Pour assurer que la pression puisse être mise à l'atmosphère en toute sécurité en cas de défaillance, pour que la paroi arrière éjectable fonctionne correctement, il faut maintenir une distance minimale de 20 mm par rapport à tout objet.

FR



AVERTISSEMENT !

Blessures physiques et dommages aux équipements et à l'environnement causés par la paroi arrière éjectable en cas de défaillance

En raison de la haute énergie de la paroi arrière éjectable dans le cas d'une défaillance, il existe un danger de blessures physiques et de dommages au matériel car la paroi arrière serait éjectée et le fluide pourrait s'échapper.

- ▶ Il faut s'assurer qu'à aucun moment il ne se trouve du personnel ou des objets à l'arrière de l'instrument.

5.2 Montage

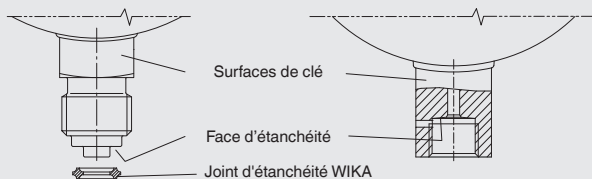
- Après le déballage de l'instrument, il faut effectuer un contrôle visuel pour voir s'il n'y a pas de dommages (par exemple sur l'aiguille, les filetages, la face d'étanchéité, le port de pression).
- En fonction de l'application, l'instrument doit être rempli de fluide avant le vissage pour s'assurer qu'il fonctionne correctement.

5. Mise en service, utilisation

- L'installation doit être réalisée hors pression. Dépressuriser l'instrument de manière fiable au moyen des soupapes et des dispositifs de protection disponibles (par exemple soupape de fermeture, monobride).
- Position de base selon EN 837-3 / 9.6.6 image 7 : 90° (\perp). Tolérance : $\pm 5^\circ$
- Avec des filetages mâles parallèles (par exemple G $\frac{1}{2}$ B), il faut employer des joints d'étanchéité WIKAL
- Avec des filetages femelles coniques (par exemple 9/16-18 UNF), le raccord process assure l'étanchéité métalliquement sans joint d'étanchéité supplémentaire.
- Lors du montage des instruments, la force requise pour l'étanchéité ne doit pas être appliquée sur le boîtier, mais seulement sur les surfaces de clé prévues, et ce avec un outil approprié.
- Le couple de serrage dépend du raccord process choisi.

FR

Etanchéité des raccords process



Montage avec clé plate



5.3 Mise en service, utilisation

- Vérifier le joint d'étanchéité sur le raccord process sur la totalité de l'échelle de mesure avant la mise en service.
- Il faut absolument éviter des afflux soudains de pression, ouvrir par conséquent entièrement les robinets d'isolement.
- L'instrument ne doit pas être soumis à une quelconque contrainte extérieure (par exemple être utilisé comme aide pour grimper, comme support pour des objets).

FR

6. Dysfonctionnements

Personnel : personnel qualifié



ATTENTION !

Blessures physiques, dommages aux équipements et à l'environnement

Si les défauts ne peuvent pas être éliminés au moyen des mesures listées, l'instrument doit être mis hors service immédiatement.

- ▶ S'assurer qu'il n'y a plus aucune pression présente et empêcher toute remise en marche accidentelle.
- ▶ Contacter le fabricant.
- ▶ S'il est nécessaire de retourner l'instrument au fabricant, respecter les indications mentionnées au chapitre 8.2 "Retour".



Pour le détail des contacts voir le chapitre 1 "Généralités" ou au dos du mode d'emploi.

6. Dysfonctionnements

| Dysfonctionnements | Raisons | Mesures |
|----------------------------------------------------------------------------------------------------------------------|-----------------------------------------------------------------------------------|-------------------------------------------------------------------------------------------------------------------|
| L'aiguille ne bouge pas malgré un changement au niveau de la pression. | Mouvement bloqué. | Remplacer l'instrument. |
| | L'élément de mesure est défectueux. | |
| | Le port de pression est bloqué. | |
| Après la dépressurisation, l'aiguille reste bloquée juste au-dessus du point zéro. | Frictions dans le mouvement. | Tapoter légèrement sur le boîtier. |
| | L'instrument a été soumis à une charge trop importante. | Remplacer l'instrument. |
| | Fatigue du matériau de l'élément de mesure. | |
| L'aiguille reste bloquée en-dehors de la tolérance de point zéro après l'installation et la dépressurisation. | Erreur d'installation : l'instrument n'est pas installé dans la position nominale | Vérifier la position d'installation |
| | Dommages liés au transport (par exemple contraintes de chocs inadmissibles) | Remplacer l'instrument. |
| Instrument en-dehors de la classe de précision. | L'instrument a été utilisé en-dehors de ses limites de performance autorisées. | Vérifier que les paramètres de fonctionnement de l'application ont bien été respectés. Remplacer l'instrument. |
| Vibration de l'aiguille. | Vibrations dans l'application. | Utiliser un instrument avec remplissage de liquide. |
| Dommages mécaniques (par exemple voyant, boîtier). | Manipulation impropre. | Remplacer l'instrument. |

FR

Pour échanger l'instrument, voir les dispositions des chapitres 8 "Démontage, retour et mise au rebut" et 5 "Mise en service, utilisation".

7. Entretien et nettoyage

Personnel : personnel qualifié

7.1 Entretien

- Les instruments ne requièrent aucun entretien.
- Un contrôle de l'affichage et des fonctions de commande est recommandé 1 à 2 fois/an. Pour contrôler l'affichage et la fonction de commutation, l'appareil doit être isolé du processus de mesure et contrôlé à l'aide d'un dispositif de contrôle de la pression.
- Les réparations ne doivent être effectuées que par le fabricant ou, à la suite d'une consultation préalable avec le fabricant, par du personnel qualifié dans ce domaine.
- A la suite de tout dépassement des exigences en accord avec DIN 16001, il faut vérifier que l'instrument fonctionne correctement.

7.2 Nettoyage



ATTENTION !

Blessures physiques, dommages aux équipements et à l'environnement

Un nettoyage inapproprié peut conduire à des blessures physiques et à des dommages aux équipements ou à l'environnement. Les restes de fluides se trouvant dans les instruments démontés peuvent mettre en danger les personnes, l'environnement ainsi que l'installation.

- ▶ Effectuer la procédure de nettoyage comme décrit ci-dessous.

1. Avant le nettoyage, débrancher correctement l'instrument de l'alimentation de pression.
2. Utiliser l'équipement de protection requis.
3. Nettoyer l'instrument avec un chiffon humide.

7. Entretien et nettoyage



ATTENTION !

Domages à l'instrument

Un nettoyage inapproprié peut endommager l'instrument !

- ▶ Ne pas utiliser de détergents agressifs.
- ▶ Ne pas utiliser d'objets pointus ou durs pour le nettoyage.

4. Laver et décontaminer l'instrument démonté afin de protéger les personnes et l'environnement contre le danger lié aux résidus de fluides.

FR



Un nettoyage à 100 % sans résidus n'est pas possible, en raison de l'exécution.

8. Démontage, retour et mise au rebut



AVERTISSEMENT !

Blessures physiques et dommages aux équipements et à l'environnement liés aux résidus de fluides

Les restes de fluides se trouvant dans les instruments démontés peuvent mettre en danger les personnes, l'environnement ainsi que l'installation.

Effectuer la procédure de nettoyage comme décrit ci-dessous.

- ▶ Porter les équipements de protection requis (voir chapitre 3.6 "Équipement de protection individuelle").
- ▶ Observer les informations de la fiche de données de sécurité du fluide correspondant.
- ▶ Laver et décontaminer l'instrument démonté afin de protéger les personnes et l'environnement contre le danger lié aux résidus de fluides.

FR

8.1 Démontage



AVERTISSEMENT !

Blessures physiques et dommages aux équipements et à l'environnement causés par une interprétation incorrecte de l'affichage de pression

1. L'aiguille d'un appareil endommagé, bien qu'on soit sous haute pression, peut être accidentellement bloquée sur zéro.
2. En conséquence de la graduation d'échelle des manomètres haute pression, bien que les valeurs affichées soient sous la première graduation, il peut y avoir des pressions très élevées dans l'instrument. Exemple : avec une échelle de mesure de 0 ... 4.000 bar, la première graduation a déjà une valeur de 100 bar.

8. Démontage, retour et mise au rebut

- ▶ Le démontage n'est autorisé qu'en état dépressurisé. Dépressuriser l'instrument de manière fiable au moyen des soupapes et des dispositifs de protection disponibles (par exemple soupape de fermeture, monobride).

8.2 Retour

En cas d'envoi de l'instrument, il faut respecter impérativement ceci : Tous les instruments livrés à WIKA doivent être exempts de substances dangereuses (acides, bases, solutions, etc.) et doivent donc être nettoyés avant d'être retournés.

FR

Pour retourner l'instrument, utiliser l'emballage original ou un emballage adapté pour le transport.

8.3 Mise au rebut

Une mise au rebut inadéquate peut entraîner des dangers pour l'environnement.

9. Spécifications

9. Spécifications

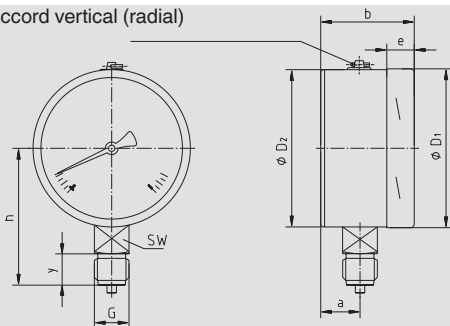
Spécifications

| | |
|-------------------------------------------------------|------------------------------------------------------------------------------------------------------------------------------------------------------|
| Diamètre en mm | 100, 160 |
| Matériau des parties en contact avec le fluide | Alliage NiCr, acier inox 316L |
| Plages d'utilisation | |
| Charge statique | 3/4 x valeur pleine échelle |
| Charge dynamique | 2/3 x valeur pleine échelle |
| Momentanément | Valeur pleine échelle |
| Températures admissibles | |
| Température ambiante | -40 ... +60 °C |
| Température du fluide | +200 °C avec des instruments non remplis +100 °C avec des instruments remplis |
| Température de stockage | -40 +70 °C |
| Effet de la température | Au cas où la température du système de mesure dévie de la température de référence (+20 °C) : max. $\pm 0,4 \%$ /10 K de la valeur pleine échelle |
| Poids | Diam. 100, rempli : 1,08 kg Diam. 100, non rempli : 0,65 kg Diam. 160, rempli : 2,34 kg Diam. 160, non rempli : 1,30 kg |

FR

9. Spécifications

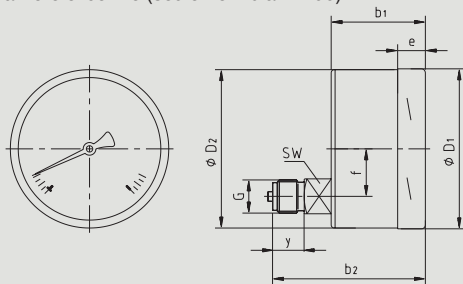
Raccord vertical (radial)



1034568.02y

FR

Raccord arrière excentré (seulement diam. 100)



1034596.02y

| Diam. | Dimensions en mm | | | | | | | | | | | | |
|-------|------------------|----|----------------|----------------|----------------|----------------|------|----|-------|------|----|----|--|
| | a | b | b ₁ | b ₂ | D ₁ | D ₂ | e | f | G | h ±1 | y | SW | |
| 100 | 25 | 59 | 59,5 | 93 | 101 | 99 | 17 | 30 | G ½ B | 87 | 23 | 22 | |
| 160 | 27 | 65 | - | - | 161 | 159 | 17,5 | - | G ½ B | 118 | 23 | 22 | |



EU-Konformitätserklärung EU Declaration of Conformity

Dokument Nr.: 14248637.01
Document No.:

Wir erklären in alleiniger Verantwortung, dass die mit CE gekennzeichneten Produkte
We declare under our sole responsibility that the CE marked products

Typenbezeichnung: PG23HP-S / PG23HP-P
Type Designation:

Beschreibung: Rohrfedermanometer für Hochdruckenwendungen
Description: Bourdon tube pressure gauge for high pressure

gemäß gültigem Datenblatt: PM02.28 / PM02.29
according to the valid data sheet:

die wesentlichen Schutzanforderungen der folgenden Richtlinien erfüllen: Harmonisierte Normen:
comply with the essential protection requirements of the directives: Harmonized standards:

2014/68/EU Druckgeräterichtlinie (DGRL) ^{(1) (2)}
Pressure Equipment Directive (PED) ⁽¹⁾⁽²⁾

(1) PS > 200 bar; Modul A, druckhaltendes Ausrüstungsteil
PS > 200 bar; Module A, pressure accessory

(2) Modul A, interne Fertigungskontrolle
Module A, internal control of production

Unterzeichnet für und im Namen von / Signed for and on behalf of

WIKAI Alexander Wiegand SE & Co. KG

Klingenberg, 2017-09-29

Thorsten Seefried, Vice President
Process Gauges

Dr. Michael Gombitza, Head of Quality Management
Process Gauges

WIKAI Alexander Wiegand SE & Co. KG
Alexander-Wiegand-Strasse 30
63811 Klingenberg
Germany

Tel. +49 9372 132-0
Fax +49 9372 132-406
E-Mail: info@wika.de
www.wika.de

Kommanditgesellschaft, Sitz Klingenberg –
Amtsgericht Aschaffenburg HRB 18118
Körperschaft Nr.: WIKAI Verwaltungs SE & Co. KG –
Sitz Klingenberg – Amtsgericht Aschaffenburg
HRB 4050

Komplementär:
WIKAI International SE – Sitz Klingenberg –
Amtsgericht Aschaffenburg HRB 10505
Vorstand: Alexander Wiegand
Vorsitzender des Aufsichtsrats: Dr. Max Egli

Contenido

| | |
|------------------------------------------------------------|-----------|
| 1. Información general | 70 |
| 2. Diseño y función | 71 |
| 3. Seguridad | 72 |
| 4. Transporte, embalaje y almacenamiento | 77 |
| 5. Puesta en servicio, funcionamiento | 78 |
| 6. Errores | 82 |
| 7. Mantenimiento y limpieza | 84 |
| 8. Desmontaje, devolución y eliminación de residuos | 86 |
| 9. Datos técnicos | 88 |
| Anexo: Declaración de conformidad UE | 90 |

Declaraciones de conformidad puede encontrar en www.wika.es.

1. Información general

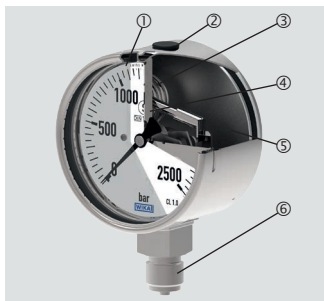
ES

- El instrumento descrito en el manual de instrucciones está construido y fabricado según los últimos conocimientos. Todos los componentes están sujetos a rigurosos criterios de calidad y medio ambiente durante la producción. Nuestros sistemas de gestión están certificados según ISO 9001 e ISO 14001.
- Este manual de instrucciones proporciona indicaciones importantes acerca del manejo del instrumento. Para un trabajo seguro, es imprescindible cumplir con todas las instrucciones de seguridad y manejo indicadas.
- Cumplir siempre las normativas sobre la prevención de accidentes y las normas de seguridad en vigor en el lugar de utilización del instrumento.
- El manual de instrucciones es una parte integrante del instrumento y debe guardarse en la proximidad del mismo para que el personal especializado pueda consultarlo en cualquier momento. Entregar el manual de instrucciones al usuario o propietario siguiente del instrumento.
- El personal especializado debe haber leído y entendido el manual de instrucciones antes de comenzar cualquier trabajo.
- Se aplican las condiciones generales de venta incluidas en la documentación de venta.
- Modificaciones técnicas reservadas.
- Para obtener más informaciones consultar:
 - Página web: www.wika.es
 - Hoja técnica correspondiente: **PM 02.28, PM 02.29**

2. Diseño y función

2.1 Resumen

- ① Cristal de seguridad laminado
- ② Tapón de llenado
- ③ Elemento sensible
- ④ Pared divisoria a prueba de roturas
- ⑤ Pared trasera eyectable
- ⑥ Conexión a proceso



ES

2.2 Descripción

El manómetro modelo PG23HP está especialmente diseñado para aplicaciones con presiones muy elevadas > 1.600 bar. Campos de aplicación típicos del manómetro son el corte por chorro de agua, la limpieza a alta presión y la construcción de bancos de prueba.

WIKA fabrica y califica el instrumento según las exigencias de la nueva norma de alta presión DIN 16001 en la versión de seguridad "S3". La versión de seguridad dispone de un cristal de seguridad laminado, una pared divisoria antirrotura entre el sistema de medición y la esfera así como de una pared tipo "solidfront". En caso de fallo, el usuario en la parte frontal queda protegido dado que los medios y los componentes únicamente pueden salir a través de la parte posterior de la caja.

2.3 Alcance del suministro

Comparar mediante el albarán si se han entregado todas las piezas.

3. Seguridad

ES

3.1 Explicación de símbolos



¡ADVERTENCIA!

... señala una situación probablemente peligrosa que puede causar la muerte o lesiones graves si no se evita.



¡CUIDADO!

... indica una situación probablemente peligrosa que puede causar lesiones leves o medianas, o daños materiales y medioambientales, si no se la evita.



Información

... marca consejos y recomendaciones útiles así como informaciones para una utilización eficaz y libre de fallos.

3.2 Uso conforme a lo previsto

Los manómetros modelo PG23HP se utilizan para la medición de presión de medios líquidos en aplicaciones industriales de alta presión, en interiores y exteriores. Los medios de la aplicación no deben ser altamente viscosos ni cristalizantes.

Clasificación según la directiva de equipos a presión

- Tipo de equipo: Pieza de equipo de mantenimiento de presión sin función de seguridad
- Medios: Líquidos, grupo 1 (peligrosos)
- Presión máxima admisible PS: valor final de escala, ver capítulo 3.6 "Rótulos/marcajes de seguridad"
- Volumen: < 0,1 L

El instrumento sólo debe utilizarse con medios inofensivos para los componentes en contacto con ellos en todo el rango de aplicación del instrumento. No se permite ningún cambio en el estado de agregación ni la descomposición de medios inestables.

Utilizar el instrumento únicamente en aplicaciones que están dentro de sus límites de rendimiento técnicos (por ej. temperatura ambiente máxima, compatibilidad de materiales, ...).

→ Para límites de rendimiento véase el capítulo 9 "Datos técnicos".

¡Este dispositivo no está homologado para aplicaciones en zonas potencialmente explosivas!

El instrumento ha sido diseñado y construido únicamente para la finalidad aquí descrita y debe utilizarse en conformidad a la misma.

Cumplir las especificaciones técnicas de este manual de instrucciones. Un manejo no apropiado o una utilización del instrumento no conforme a las especificaciones técnicas requiere la inmediata puesta fuera de servicio y la comprobación por parte de un técnico autorizado por WIKA.

No se admite ninguna reclamación debido a una utilización no conforme a lo previsto.

3.3 Uso incorrecto



¡ADVERTENCIA!

Lesiones por uso incorrecto

El uso incorrecto del dispositivo puede causar lesiones graves o la muerte.

- ▶ Abstenerse realizar modificaciones no autorizadas del dispositivo.
- ▶ No utilizar el dispositivo en zonas potencialmente explosivas.
- ▶ No utilizar el instrumento para medios abrasivos, corrosivos ni altamente viscosos.

Cualquier uso que no sea el previsto para este dispositivo es considerado como uso incorrecto.

3.4 Responsabilidad del usuario

El dispositivo se utiliza en el sector industrial. Por lo tanto, el usuario está sujeto a las responsabilidades legales para la seguridad en el trabajo.

Se debe cumplir las notas de seguridad en este manual de instrucciones, así como la validez de las normas de seguridad de la unidad, de prevención de accidentes y protección del medio ambiente.

El instrumento sólo debe utilizarse con medios inofensivos para los componentes en contacto con ellos en todo el rango de aplicación del instrumento.

El usuario está obligado a mantener la placa de identificación bien legible.

Para realizar un trabajo seguro en el instrumento el propietario debe asegurarse de que,

- esté disponible un kit de primeros auxilios que siempre esté presente y ayuda en caso necesario.

- los operadores reciban periódicamente instrucciones, sobre todos los temas referidos a seguridad de trabajo, primeros auxilios y protección del medio ambiente, y conozcan además el manual de instrucciones y en particular las instrucciones de seguridad del mismo.
- el instrumento sea adecuado de acuerdo con el uso previsto para la aplicación.

3.5 Cualificación del personal



¡ADVERTENCIA!

Riesgo de lesiones debido a una insuficiente cualificación

Un manejo no adecuado puede causar considerables daños personales y materiales.

- ▶ Las actividades descritas en este manual de instrucciones deben realizarse únicamente por personal especializado con la consiguiente cualificación.

Personal especializado

Debido a su formación profesional, a sus conocimientos de la técnica de regulación y medición así como a su experiencia y su conocimiento de las normativas, normas y directivas vigentes en el país de utilización el personal especializado autorizado por el usuario es capaz de ejecutar los trabajos descritos y reconocer posibles peligros por sí solo.

3.6 Equipo de protección individual

El equipo de protección individual protege al personal especializado contra peligros que puedan perjudicar la seguridad y salud del mismo durante el trabajo. El personal especializado debe llevar un equipo de protección individual durante los trabajos diferentes en y con el instrumento.

3. Seguridad

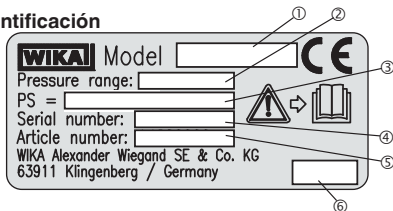
¡Cumplir las indicaciones acerca del equipo de protección individual en el área de trabajo!

El propietario debe proporcionar el equipo de protección individual.

ES

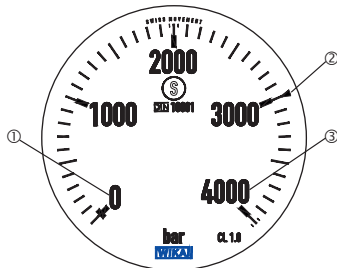
3.6 Rótulos / Marcados de seguridad

Placa de identificación



- | | |
|-------------------------------|------------------------|
| ① Modelo | ④ Número de serie |
| ② Rango de indicación | ⑤ Código |
| ③ Presión máxima admisible PS | ⑥ Fecha de fabricación |

Esfera (ejemplo)



- ① Valor inicial de la escala
- ② Marca límite para la capacidad de carga en reposo (máx. $\frac{3}{4}$ x valor final de escala)
- ③ Valor final de escala (sólo se permite carga de corta duración)



¡Es absolutamente necesario leer el manual de instrucciones antes del montaje y la puesta en servicio del instrumento!



El instrumento con este marcaje es un manómetro de seguridad con una pared divisora resistente a la fractura conforme a DIN 16001.

4. Transporte, embalaje y almacenamiento

4.1 Transporte

Comprobar si el instrumento presenta eventuales daños causados en el transporte.

Notificar daños obvios de forma inmediata.



¡CUIDADO!

Daños debidos a un transporte inadecuado

Transportes inadecuados pueden causar daños materiales considerables.

- ▶ Tener cuidado al descargar los paquetes durante la entrega o el transporte dentro de la compañía y respetar los símbolos en el embalaje.
- ▶ Observar las instrucciones en el capítulo 5.2 “Embalaje y almacenamiento” en el transporte dentro de la compañía.

Embalaje y almacenamiento

No quitar el embalaje hasta justo antes del montaje.

Guardar el embalaje ya que es la protección ideal durante el transporte (por ejemplo si el lugar de instalación cambia o si se envía el instrumento para posibles reparaciones).

Condiciones admisibles en el lugar de almacenamiento:

Temperatura de almacenamiento: -40 ... +70 °C

Evitar la siguiente influencia:

Vibración mecánica, impacto mecánico (colocación brusca)

5. Puesta en servicio, funcionamiento

Antes de proceder con el montaje, la puesta en servicio y el funcionamiento asegurarse de que se haya seleccionado el instrumento adecuado en relación con rango de indicación, versión y condiciones de medición específicas.

Personal: Personal especializado



¡ADVERTENCIA!

Lesiones corporales, daños materiales y del medio ambiente causados por medios peligrosos

En caso de contacto con medios peligrosos (p. ej. inflamables o tóxicos) medios nocivos para la salud (p. ej. corrosivas, tóxicas, cancerígenas radioactivas) y con sistemas de refrigeración o compresores existe el peligro de lesiones corporales, daños materiales y del medio ambiente.

En caso de fallo es posible que haya medios agresivos con temperaturas extremas o de bajo presión en el instrumento.

- ▶ Con estos medios deben observarse en cada caso, además de todas las reglas generales, las disposiciones pertinentes.
- ▶ Llevar equipo de protección necesario (ver capítulo 3.6 "Equipo de protección personal").



¡ADVERTENCIA!

Lesiones corporales, daños materiales y del medio ambiente causados por escape de medios a alta presión

Cuando el instrumento está presurizado, el medio puede escapar bajo alta presión debido a un sellado deficiente de la conexión de proceso.

Debido a la alta energía del medio que se escapa en caso de avería, existe riesgo de lesiones corporales y daños materiales.

- ▶ El sellado de la conexión a proceso debe realizarse de forma profesional y se debe comprobar si presenta fugas.

5.1 Requerimientos en el lugar de instalación

- Si el tubo que conecta al instrumento de medición no fuera suficientemente estable para asegurar una conexión exenta de vibraciones, se debería efectuar la sujeción mediante un soporte de instrumentos de medición.
- En el caso de no poder evitar las vibraciones mediante las instalaciones apropiadas, deben instalarse instrumentos con caja rellena.
- En caso de aplicación al aire libre, se debe seleccionar un lugar de instalación adecuado para el tipo de protección indicado para que el instrumento no sea sometida a influencias atmosféricas inadmisibles.
- ¡No exponer los instrumentos a la radiación solar directa durante el funcionamiento para evitar un calentamiento adicional!
- Para asegurar un alivio de presión en caso de avería y con ello un funcionamiento impecable de la pared trasera eyectable, ésta debe mantener una distancia mínima de 20 mm a cualquier objeto.



¡ADVERTENCIA!

Lesiones corporales, daños materiales y del medio ambiente causados por la expulsión de la pared trasera en caso de avería.

Debido a la alta energía de la pared trasera que se eyecta en caso de fallo, existe el riesgo de que se produzcan lesiones corporales o daños materiales debido a la expulsión de dicha pared y al posterior escape del medio.

- ▶ Debe asegurarse de que no haya personas u objetos en la parte posterior del instrumento en ningún momento.

5.2 Montaje

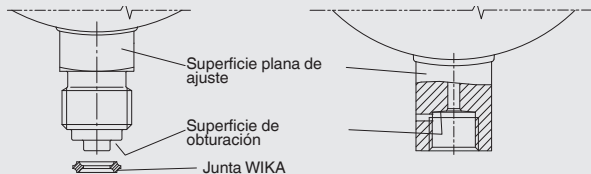
- Tras desembalar el instrumento se debe realizar una inspección visual para detectar eventuales daños (por ejemplo, puntero, rosca, superficie de sellado, canal de presión).
- Dependiendo de la aplicación, el instrumento debe llenarse con el medio antes de enroscarlo para asegurar un funcionamiento perfecto.

5. Puesta en servicio, funcionamiento

- El montaje debe efectuarse únicamente en estado despresurizado. Despresurizar completamente el instrumento mediante las válvulas y los dispositivos de protección existentes (por ejemplo: válvula de cierre, monobrida).
- Posición nominal según EN 837-3 / 9.6.6 ilustr 7: $90^\circ (\perp)$. Tolerancia: $\pm 5^\circ$
- En roscas machos cilíndricas (p. ej. G $\frac{1}{2}$ B) deben emplearse las juntas WIKA.
- En roscas hembras cónicas (p. ej. 9/16-18 UNF), la conexión al proceso sella metálicamente sin junta adicional.
- Para atornillar el instrumento, se debe utilizar la fuerza necesaria mediante el uso de herramientas adecuadas sobre las superficies planas de ajuste previstas para este fin. Nunca sobre la caja.
- El par de apriete depende de la conexión a proceso seleccionado.

ES

Sellado de las conexiones a proceso



Montaje mediante llave de boca



5.3 Puesta en servicio, funcionamiento

- Antes de la puesta en servicio, comprobar la estanqueidad de la conexión a proceso en todo el rango de visualización.
- Evitar golpes de ariete en todo caso, abrir lentamente las válvulas de cierre.
- El instrumento no debe estar expuesto a cargas externas (p. ej., uso como ayuda para trepar, apoyo de objetos).

ES

6. Errores

Personal: Personal especializado



¡CUIDADO!

Lesiones corporales, daños materiales y del medio ambiente

Si no se pueden solucionar los defectos mencionados se debe poner el dispositivo inmediatamente fuera de servicio.

- ▶ Asegurar que el instrumento ya no esté sometido a presión y protegerlo contra una puesta en marcha accidental.
- ▶ Contactar con el fabricante.
- ▶ Si desea devolver el instrumento, observar las indicaciones en el capítulo 8.2 “Devolución”.



Datos de contacto ver capítulo 1 “Información general” o parte posterior del manual de instrucciones.

6. Errores

| Errores | Causas | Medidas |
|-------------------------------------------------------------------------------------------------------------|-----------------------------------------------------------------------------|-------------------------------------------------------------------------------------------------------------|
| Indicador sin movimiento a pesar del cambio de presión. | Mecanismo de medición bloqueado. | Sustituir el instrumento |
| | Elemento sensible averiado. | |
| | Canal de presión obstruido. | |
| La aguja permanece justo por encima de cero tras el alivio de la presión. | Fricciones en el mecanismo de medición. | Golpear ligeramente la caja. |
| | El instrumento estaba sobrecargado. | Sustituir el instrumento |
| | Fatiga del material del elemento sensible. | |
| Tras la instalación y el alivio de la presión, la aguja queda fuera de la tolerancia del punto cero. | Error de montaje: Instrumento no instalado en posición nominal. | Comprobar la posición de montaje. |
| | Daños durante el transporte (p. ej., carga de impacto inadmisibles). | Sustituir el instrumento |
| Instrumento fuera de la clase de exactitud | El instrumento ha sido operado fuera de los límites de potencia permitidos. | Comprobar el cumplimiento de los parámetros de funcionamiento de la aplicación. Sustituir el instrumento |
| Vibración de la aguja. | Vibraciones en la aplicación. | Utilizar un instrumento con relleno de la caja. |
| Daños mecánicos (por ejemplo: mirilla, caja). | Manipulación inadecuada. | Sustituir el instrumento |

ES

Para la sustitución del instrumento, leer el capítulo 8 "Desmontaje, devolución y eliminación de residuos" y 5 "Puesta en servicio, funcionamiento".

7. Mantenimiento y limpieza

Personal: Personal especializado

7.1 Mantenimiento

ES

- Los instrumentos no requieren mantenimiento.
- Controlar el instrumento y la función de conmutación una o dos veces al año. Para eso, separar el instrumento del proceso y controlarlo con un dispositivo de control de presión.
- Todas las reparaciones solamente las debe efectuar el fabricante o, a convenir con el fabricante, personal debidamente instruido y calificado.
- Después de superar los requisitos de la norma DIN 16001, se debe comprobar el funcionamiento del dispositivo.

7.2 Limpieza



¡CUIDADO!

Lesiones corporales, daños materiales y del medio ambiente

Una limpieza inadecuada provoca lesiones corporales, daños materiales y del medio ambiente. Medios residuales en el instrumento desmontado pueden causar riesgos para personas, medio ambiente e instalación.

- ▶ Realizar el proceso de limpieza tal como se describe a continuación.

1. Antes de la limpieza hay que separar debidamente el instrumento de cualquier fuente de presión.
2. Utilizar el equipo de protección necesario.
3. Limpiar el instrumento con un trapo húmedo.

7. Mantenimiento y limpieza



¡CUIDADO!

Daño al dispositivo

¡Una limpieza inadecuada puede dañar el dispositivo!

- ▶ No utilizar productos de limpieza agresivos.
- ▶ No utilizar ningún objeto puntiagudo o duro para la limpieza.

ES

4. Enjuagar y limpiar el dispositivo desmontado para proteger a las personas y el medio ambiente contra peligros por medios residuales adherentes.



Debido a su diseño, no es posible una limpieza al 100 % libre de residuos.

8. Desmontaje, devolución y eliminación de residuos



¡ADVERTENCIA!

Lesiones corporales, daños materiales y del medio ambiente por medios residuales

Medios residuales en el instrumento desmontado pueden causar riesgos para personas, medio ambiente e instalación. Realizar el proceso de limpieza tal como se describe a continuación.

- ▶ Llevar equipo de protección necesario (ver capítulo 3.6 “Equipo de protección personal”).
- ▶ Observar la ficha de datos de seguridad correspondiente al medio.
- ▶ Enjuagar y limpiar el dispositivo desmontado para proteger a las personas y el medio ambiente contra peligros por medios residuales adherentes.

ES

8.1 Desmontaje



¡ADVERTENCIA!

Lesiones corporales, daños materiales y del medio ambiente debidos a una interpretación errónea del indicador de presión

1. La aguja de un instrumento dañado puede encontrarse accidentalmente en cero a pesar de la alta presión.
2. La división de escala de los manómetros de alta presión significa que, a pesar de los valores de indicación por debajo de la primera línea de escala, pueden existir presiones muy altas en el instrumento. Ejemplo: Con un rango de visualización de 0 4.000 bar, la primera línea de graduación ya tiene un valor de 100 bar.

8. Desmontaje, devolución y eliminación de residuos

- ▶ El desmontaje debe efectuarse únicamente en estado despresurizado. Despresurizar completamente el instrumento mediante las válvulas y los dispositivos de protección existentes (por ejemplo: válvula de cierre, monobrida).

ES

8.2 Devolución

Es imprescindible observar lo siguiente para el envío del instrumento: Todos los instrumentos enviados a WIKA deben estar libres de sustancias peligrosas (ácidos, lejías, soluciones, etc.) y, por lo tanto, deben limpiarse antes de devolver.

Utilizar el embalaje original o un embalaje adecuado para la devolución del instrumento.

8.3 Eliminación de residuos

Una eliminación incorrecta puede provocar peligros para el medio ambiente.

9. Datos técnicos

9. Datos técnicos

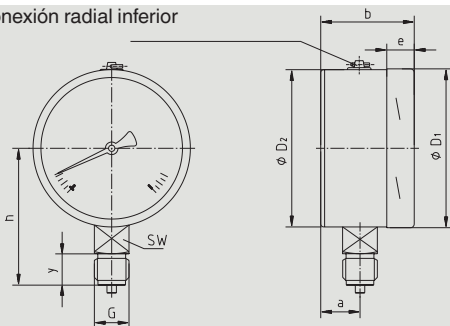
Datos técnicos

| | |
|--------------------------------------------------------|----------------------------------------------------------------------------------------------------------------------------------------------------------------|
| Diámetro en mm | 100, 160 |
| Material de las partes en contacto con el medio | Aleación NiCr, acero inoxidable 316L |
| Carga de presión máxima | |
| Carga estática | 3/4 x valor final de escala |
| Carga dinámica | 2/3 x valor final de escala |
| Carga puntual | Valor final de escala |
| Temperaturas admisibles | |
| Temperatura ambiente | -40 ... +60 °C |
| Temperatura del medio | +200 °C en instrumentos sin relleno +100 °C en instrumentos con relleno |
| Temperatura de almacenamiento | -40 +70 °C |
| Influencia de temperatura | En caso de desviación de la temperatura de referencia en el sistema de medición (+20 °C): máx. $\pm 0,4 \%$ /10 K del valor final de escala correspondiente |
| Peso | NG 100, lleno: 1,08 kg NG 100, vacío: 0,65 kg NG 160, lleno: 2,34 kg NG 160, vacío: 1,30 kg |

ES

9. Datos técnicos

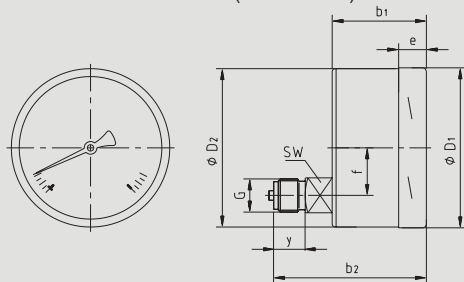
Conexión radial inferior



1034568.02y

ES

Conexión dorsal excéntrica inferior (sólo DN 100)



1034596.02y

| DN | Dimensiones en mm | | | | | | | | | | | |
|-----|-------------------|----|----------------|----------------|----------------|----------------|------|----|-------|------|----|----|
| | a | b | b ₁ | b ₂ | D ₁ | D ₂ | e | f | G | h ±1 | y | SW |
| 100 | 25 | 59 | 59,5 | 93 | 101 | 99 | 17 | 30 | G ½ B | 87 | 23 | 22 |
| 160 | 27 | 65 | - | - | 161 | 159 | 17,5 | - | G ½ B | 118 | 23 | 22 |



EU-Konformitätserklärung EU Declaration of Conformity

Dokument Nr.: 14248637.01
Document No.:

Wir erklären in alleiniger Verantwortung, dass die mit CE gekennzeichneten Produkte
We declare under our sole responsibility that the CE marked products

Typenbezeichnung: PG23HP-S / PG23HP-P
Type Designation:

Beschreibung: Rohrfedermanometer für Hochdruckenwendungen
Description: Bourdon tube pressure gauge for high pressure

gemäß gültigem Datenblatt: PM02.28 / PM02.29
according to the valid data sheet:

die wesentlichen Schutzanforderungen der folgenden Richtlinien erfüllen: Harmonisierte Normen:
comply with the essential protection requirements of the directives: Harmonized standards:

2014/68/EU Druckgeräterichtlinie (DGRL) ^{(1) (2)}
Pressure Equipment Directive (PED) ⁽¹⁾⁽²⁾

- (1) PS > 200 bar; Modul A, druckhaltendes Ausrüstungsteil
PS > 200 bar; Module A, pressure accessory
- (2) Modul A, interne Fertigungskontrolle
Module A, internal control of production

Unterzeichnet für und im Namen von / Signed for and on behalf of

WIKAI Alexander Wiegand SE & Co. KG
Klingenberg, 2017-09-29

Thorsten Seefried, Vice President
Process Gauges

Dr. Michael Gombitza, Head of Quality Management
Process Gauges

WIKAI Alexander Wiegand SE & Co. KG
Alexander-Wiegand-Strasse 30
63811 Klingenberg
Germany

Tel. +49 9372 133-0
Fax +49 9372 133-406
E-Mail: info@wikai.de
www.wikai.de

Kommanditgesellschaft, Sitz Klingenberg –
Anteilsgenossenschaft WIKAI 1818
Komplementärin: WIKAI Verwaltungs SE & Co. KG –
Sitz Klingenberg – Anteilsgenossenschaft
WIKAI 4050.

Komplementärin:
WIKAI International SE – Sitz Klingenberg –
Anteilsgenossenschaft WIKAI 10506
Vorstand: Alexander Wiegand
Vorsitzender des Aufsichtsrats: Dr. Max Egli

WIKA subsidiaries worldwide can be found online at www.wika.com.
WIKa Niederlassungen weltweit finden Sie online unter www.wika.de.
La liste des filiales WIKa dans le monde se trouve sur www.wika.fr.
Sucursales WIKa en todo el mundo puede encontrar en www.wika.es.



WIKa Alexander Wiegand SE & Co. KG

Alexander-Wiegand-Straße 30
63911 Klingenberg • Germany

Tel. +49 9372 132-0

Fax +49 9372 132-406

E-Mail info@wika.de

www.wika.de