

Differential pressure switch

For ventilation and air-conditioning

Model A2G-40

WIKA data sheet PV 27.41



For further approvals,
see page 3

Applications

- For dry, clean, non-aggressive gases, usually air
- Monitoring of ventilators, blowers and filters in air-conditioning and cleanroom applications
- Overpressure monitoring in clean rooms and laboratories

Special features

- Six pressure range increments
- Easy to install and assemble
- Very reliable
- Robust case and functional design



Differential pressure switch, model A2G-40

Description

The model A2G-40 differential pressure switch, in the Δp function, monitors filters and ventilators in ventilation ducts and air shutters.

Six pressure range increments are available. The differential pressure switch is characterised by its simple mounting and high reliability.

Specifications

Differential pressure switch, model A2G-40				
Switch point accuracy	Pressure range	Lowest limit	Highest limit	Switch differential
	20 ... 200 Pa [0.08 ... 0.8 inWC]	±8 Pa [±0.03 inWC]	±15 %	20 Pa [0.08 inWC]
	30 ... 300 Pa [0.12 ... 1.20 inWC]	±8 Pa [±0.03 inWC]	±15 %	25 Pa [0.10 inWC]
	30 ... 500 Pa [0.12 ... 2.00 inWC]	±8 Pa [±0.03 inWC]	±15 %	25 Pa [0.10 inWC]
	40 ... 600 Pa [0.16... 2.41 inWC]	±8 Pa [±0.03 inWC]	±15 %	35 Pa [0.14 inWC]
	100 ... 1,500 Pa [0.40 ... 6.02 inWC]	±20 Pa [±0.08 inWC]	±15 %	80 Pa [0.32 inWC]
	500 ... 4,500 Pa [2.00 ... 18.08 inWC]	±100 Pa [±0.40 inWC]	±15 %	250 Pa [1.00 inWC]
Unit	<ul style="list-style-type: none"> ■ Pa ■ kPa ■ inWC ■ mmWC ■ mbar 			
Maximum operating pressure	<ul style="list-style-type: none"> ■ Test pressure: 25 kPa [100 inWC] ■ Burst pressure: 50 kPa [200 inWC] 			
Process connection	Connecting nozzle, side mount, for hoses with inner diameter 4 ... 6 mm [0.16 ... 0.24 in] (see „Accessories“)			
Electrical connection	Cable gland M16 Screw terminals max. 1.5 mm ² [0.002 in ²]			
Switching power				
Voltage	Pressure range 20 ... 200 Pa		All other pressure ranges	
	Resistive load (cos φ ≈ 1)		Resistive load (cos φ ≈ 1)	Inductive load (cos φ ≈ 0.6 - 0.7)
AC 125 V	0.1 A		3 A	2 A
AC 250 V	0.1 A		3 A	2 A
DC 30 V	0.1 A		3 A	2 A
DC 125 V	-		0.4 A	0.05 A
Mounting type	Wall mounting			
Materials				
Case	Plastic (ABS)			
Window	Polycarbonate (PC)			
Diaphragm	Silicone			
Seals	Plastic			
Permissible temperatures				
Medium	-20 ... +60 °C [-4 ... +140 °F]			
Ambient	-20 ... +85 °C [-4 ... +185 °F]			
Relative humidity, condensation	0 ... 95 % r. h., non-condensing			
Ingress protection per IEC/EN 60529	IP54			
Weight	150 g [0.33 lbs]			

Approvals

Logo	Description	Country
CE	EU declaration of conformity	European Union
	Low Voltage Directive	
	RoHS conformity	
	WEEE directive	
EAC	EAC	Eurasian Economic Community
	EMC directive	
	Low Voltage Directive	

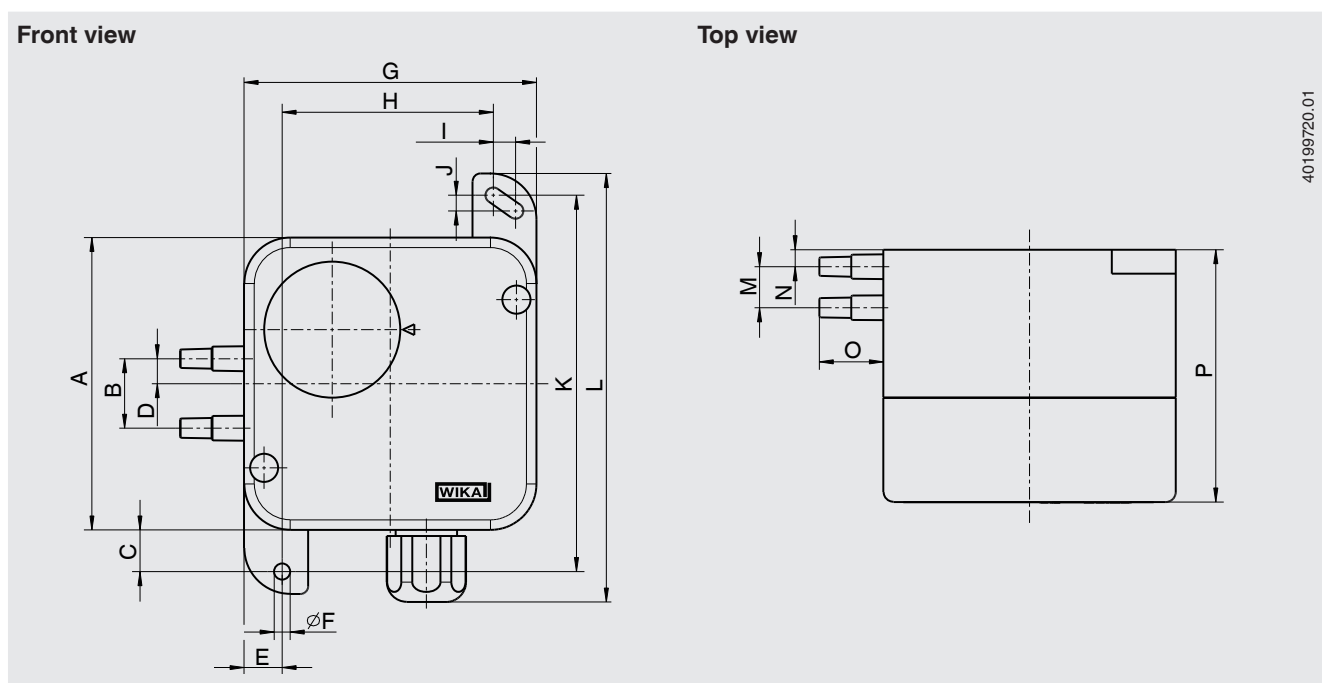
Certificates

Certificates

Certificates 2.2 test report per EN 10204 (e.g. state-of-the-art manufacturing, material proof, indication accuracy)

→ For approvals and certificates, see website



Dimensions in mm [in]



Dimensions in mm [in]

A	B	C	D	E	Ø F	G	H	I	J	K	L	M	N	O	P
73	15.1	10.2	5.5	9.5	4	73	52.7	5.6	3.9	94	107	10.15	7.05	16	63
[2.87]	[0.59]	[0.39]	[0.2]	[0.37]	[0.16]	[2.87]	[2.05]	[0.2]	[0.15]	[3.70]	[4.21]	[0.39]	[0.28]	[0.63]	[2.48]

Accessories

Description	Order number
 Measuring hoses	
PVC hose, inner diameter 4 mm [0.15 in], roll at 25 m [19.68 ft]	40217841
PVC hose, inner diameter 6 mm [0.23 in], roll at 25 m [19.68 ft]	40217850
Silicone hose, inner diameter 4 mm [0.15 in], roll at 25 m [19.68 ft]	40217906
Silicone hose, inner diameter 6 mm [0.23 in], roll at 25 m [19.68 ft]	40217914
 Duct connectors for measuring hoses Ø 4 ... 6 mm [0.16 ... 0.24 in]	40217507

Ordering information

Model / Pressure range / Accessories / Approvals / Certificates / Options

© 08/2008 WIKA Alexander Wiegand SE & Co. KG, all rights reserved.

The specifications given in this document represent the state of engineering at the time of publishing.

We reserve the right to make modifications to the specifications and materials.

In case of a different interpretation of the translated and the English data sheet, the English wording shall prevail.

