

## Connector adapter M12 x 1 to angular connector DIN EN 175301-803

WIKA data sheet AC 80.17

### Applications

For the connection of M12 x 1 circular connectors to angular connectors DIN EN 175301-803 form A

### Special features

- Robust case
- Ingress protection IP 65



Connector adapter M12 x 1 to angular connector  
DIN EN 175301-803  
Fig. left: Pt adapter  
Fig. right: Transmitter adapter

### Description

This adapter enables the compatibility between angular connector per DIN EN 175301-803 form A and M12 circular connector (patent, property right registered under No. 001370985).

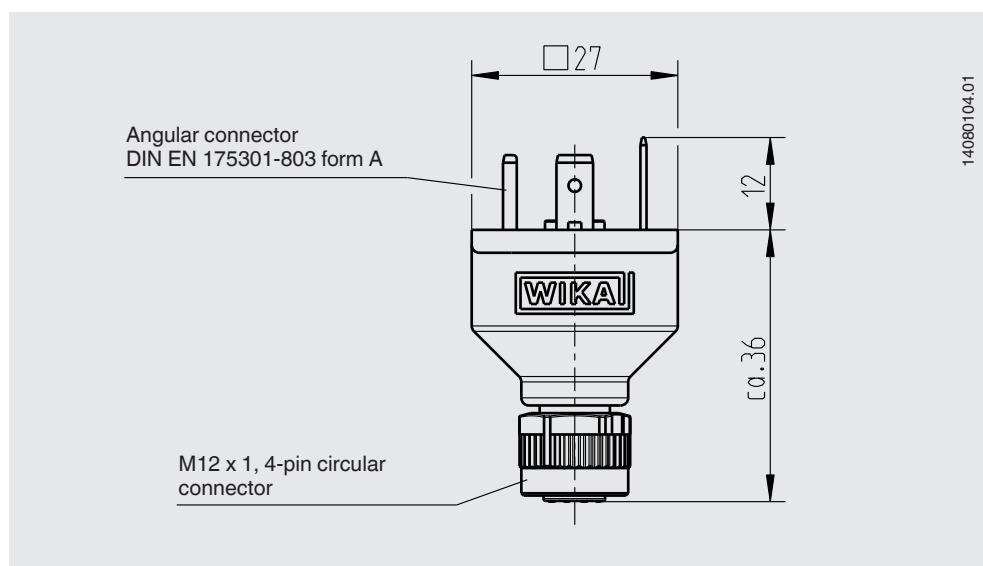
The adapter is available in 2 different versions. Thus, it is universally suitable both for electrical uniform signals (4 ... 20 mA) and for diverse raw measures values (e.g. Pt100) of 2- to 4-wire connections.

## Specifications


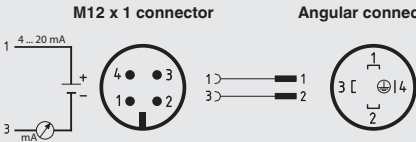

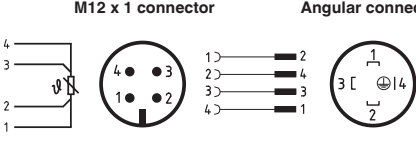
Specifications	Connector adapter M12 x 1
Version suitable for connection method	2-wire, 3-wire, 4-wire or 4...20 mA
Electrical connection	M12 x 1, 4-pin circular connector to angular connector DIN EN 175301-803 form A
Dielectric strength	500 V
Transition resistance (tested at 21 °C)	Max. 0.1 Ω
Ambient and storage temperature range (standard)	-40 ... +115 °C (-40 ... +239 °F)
Vibration per DIN EN 60068-2-6	10 ... 2,000 Hz, 10 g
Material case	PA
Material union nut	Zinc diecast
Material contacts	Copper-zinc alloy, tinned
RoHS compliant	Yes
Mating cycles min.	10,000
Ingress protection	
■ Case with connected connector	IP 65 per IEC 60529/EN 60529 <sup>1)</sup>
■ Coupler connector, not connected	IP 00 per IEC 60529/EN 60529
Weight	Approx. 0.016 kg

1) The stated ingress protection only applies when plugged in using mating connectors that have the appropriate ingress protection.

## Dimensions in mm



## Overview order numbers

Model	Special features	Order no.
<p>M12 x 1 transmitter adapter to angular connector DIN EN 175301-803 (female connector element yellow)</p> 	<p>Adapter for the connection of a resistance thermometer with a DIN EN 175301-803 form A angular connector with a 4 ... 20 mA output signal</p>  <p><b>Case:</b> PA  <b>Ambient temperature:</b> -40 ... +115 °C  <b>Union nut:</b> zinc diecast  <b>Contacts:</b> copper-zinc alloy, tinned  <b>Dielectric strength:</b> 500 V  <b>Ingress protection:</b> IP 65</p>	14069503
<p>M12 x 1 Pt adapter to angular connector DIN EN 175301-803 (female connector element black)</p> 	<p>Adapter for the connection of a resistance thermometer with a DIN EN 175301-803 form A angular connector with direct resistance output signal</p>  <p><b>Case:</b> PA  <b>Ambient temperature:</b> -40 ... +115 °C  <b>Union nut:</b> zinc diecast  <b>Contacts:</b> copper-zinc alloy, tinned  <b>Dielectric strength:</b> 500 V  <b>Ingress protection:</b> IP 65</p>	14061115

## Patents, property rights

M12 x 1 adapter to angular connector DIN EN 175301-803, registered under No. 001370985

## Ordering information

To order the described product the order number is sufficient.

© 2014 WIKA Alexander Wiegand SE & Co. KG, all rights reserved.  
 The specifications given in this document represent the state of engineering at the time of publishing.  
 We reserve the right to make modifications to the specifications and materials.

